

# CONCRETE PRODUCTS TECHNICAL GUIDE



**AMCON**®



# AMCON®

Products available in a wide variety of sizes, shapes, and colors.  
Part of the National Concrete Products Group.

Amcon Concrete Products is proud to be a part of the Concrete Products Group (CPG) offering product availability and consistency nationwide. CPG products offered by Amcon include Spec-Brik®, Spec-Brik® Jumbo, Spec-Finish®, WCT® Water Control Technology, and the most recent addition of Spec-Thermal™ Pre-Insulated Masonry.



Trader Joe's: Burnished Unit - (Tangerine) Rock Face Unit - (Goldleaf)



Karmel Square: Polished Unit - (Onyx) Spec Brik Unit - (Lite Kasota and Houston Blend)



CHS Field: Burnished Unit - (Onyx)



Capital Services: Burnished Unit (Onyx and Nutmeg) Travertina Unit - (Onyx and Nutmeg) Rock Face Unit - (Onyx)

**AMCON**

# TABLE OF CONTENTS

---

Technical Data - Fire Ratings .....	4
Technical Data - Specifications .....	5
Technical Data - Compressive Strengths .....	6
Technical Data - Soundblox.....	7
Delivery Data.....	8-9
Solid Block.....	10
4" Block.....	11
6" Block.....	12
8" Block.....	13-14
10" Block.....	15
12" Block.....	16-17
14" Block.....	17
16" Block.....	17
24" Block and Special Shapes .....	18
Scored Block.....	19
Soundblox/Soundcell .....	20
Rock Face .....	21-22
Mammoth Stone® Series .....	23
Stone Mason™ Series .....	24
Spec-Brik® Series .....	25
Sill Block.....	26-27
8 Rib Split .....	28
Corduroy .....	29
4 Flute .....	29
Architectural Textures .....	30-31
Project Profiles .....	32-33
Bond Patters .....	34-36
Product Glossary .....	37
Spec-Thermal Korfil Hi R and Hi R H.....	38-39

# TECHNICAL DATA

## FIRE RATING

### RATED FIRE RESISTIVE PERIODS

Fire resistance of concrete masonry units is determined by the "equivalent thickness" of the block and the type of aggregate. The equivalent thickness is theoretical thickness of the block if all the concrete was molded into a solid unit. It is calculated by multiplying the actual thickness by the % of solids. As an example, an 8" block with 52% solids has an equivalent of 4.0 in. (7.625 x 52% = 4). The greater the equivalent thickness, the greater the fire rating. Lightweight aggregate (expanded clay) has a better fire rating than standard weight aggregate (siliceous gravel). As an example, an 8" standard weight block has a 1 hour rating and an 8" lightweight block has a 2 hour rating. Filling the cores of the block with grout or other non-combustible material will increase the fire resistance. Applying plaster or gypsum wall board will also increase the fire resistance.

### Estimated Fire Resistive Periods of Walls and Partitions of Hollow Concrete Masonry Units

	Minimum equivalent thickness for ratings of:			
Type of coarse aggregate:	4 hour	3 hour	2 hour	1 hour
Expanded Clay (lightweight):	5.7"	4.9"	3.9"	2.7"
Siliceous Gravel (standard weight):	6.2"	5.3"	4.2"	2.8"

(Based on The International Building Code as adopted by the Minnesota State Building Code)

Block Size (Inches)	Block Core	Face Shell Thickness	Web Thickness	% Solids	Equivalent Thickness in Inches	Fire Rating Std. Weight	Fire Rating Lgt. Weight
4x8x16		1"	1"	75%	2.7	0.75	1
4x8x16		Solid	-	100%	3.6	1.5	1.5
6x8x16		1"	1"	57%	3.2	1	1
6x8x16		2"	1"	87%	4.9	2	3
8x8x16		1 1/4"	1"	52%	4	1	2
8x8x16		1 3/8"	1"	55.3%	4.2	2	2
8x8x16		2 1/8"	1 1/4"	75%	5.8	3	4
8x8x16	Open Core	1 7/8"	1"	56%	4.2	2	2
8x8x16	Open Core	2 1/2"	1"	70%	5.3	3	3
8x8x16	Open Core	3"	1"	81%	6.2	4	4
8x8x16		Solid	-	100%	7.6	4	4
10x8x16		1 3/8"	1 1/8"	51%	4.9	2	3
12x8x16		1 1/4"	1 1/8"	45%	5.2	2	3
12x8x16		1 1/2"	1 1/8"	47%	5.5	3	3
12x8x16		2 1/2"	1 1/8"	60%	7	4	4
12x8x16	Open Core	1 1/2"	1 1/4"	38%	4.4	2	2
12x8x16	Open Core	2 1/8"	1 1/4"	47%	5.4	3	3
12x8x16	Open Core	2 5/8"	1 1/4"	54%	6.3	4	4
14x8x16		1 1/2"	1 1/8"	46%	6.3	4	4
16x8x16		1 1/2"	1 1/8"	44%	6.9	4	4

The above table is based on the International Building Code (IBC). More information about determining fire ratings can be found in TEK 07-01D or by contacting Amcon Concrete Products.

# TECHNICAL DATA

## SPECIFICATIONS, SOUND TRANSMISSION, AND CORE FILLING DATA

### COMPRESSIVE STRENGTH EVALUATION OF CONCRETE MASONRY – UNIT STRENGTH METHOD

Compliance with the specified compressive strength (f 'm) of concrete masonry structures is verified by one of two methods: the Unit Strength Method or the Prism Test Method. These two methods are referenced in masonry design codes (ref. 1) specifications (ref. 2), and standards (ref.3) as rational procedures for verifying masonry compressive strength.

The Unit Strength Method is the least expensive and most convenient of the two methods. It is important to note that the Unit Strength Method also yields more conservative results when compared to the Prism Test Method particularly at the higher end of unit masonry strengths, either method is acceptable for verifying compliance with the specified f 'm value of the project.

The table below is from the 2015 International Building Code (IBC) Requirements for Masonry Structures. Note that it now recognizes 2,000 psi CMU Walls Using Type S Mortar as having 2,000 psi f 'm comprehensive strength. Prior Code editions only recognized a value of 1,500 psi f 'm. This is a 33% improvement over previous Codes, is long overdue, and results in more cost-effective wall structures.

Net Area Compressive Strength of Concrete Masonry Units, psi		Net Area Compressive Strength of Masonry (2), f 'm psi
Type M or S Mortar	Type N Mortar	
---	1,900 (13.10)	1,700 (11.72)
1,900 (13.10)	2,350 (14.82)	1,900 (13.10)
2,000 (13.79)	2,650 (18.27)	2,000 (13.79)
2,600 (17.93)	3,400 (23.44)	2,250 (15.51)
3,250 (22.41)	4,350 (28.96)	2,500 (17.24)
3,900 (26.89)	-----	2,750 (18.96)
4,500 (26.89)	-----	4,500 (26.89)

\*\*Due to the recent changes in International Building Code Requirements, it is important that you check local building codes to confirm current codes for your project location(s)\*\*

Compliance with the specified compressive strength (f 'm) by the Unit Strength Method is based on the net area compressive strength of the CMU's being used and on the type of mortar being used. The masonry assembly is then established in accordance with Table 1. Table 1 is based on criteria found in Section 1.4.B.2.b of Specification for Masonry Structures (ref. 2), and from similar provisions found in Section 2105.2.2.1.2 of the International Building Code (ref. 4). According to both of these documents, use of the Unit Strength Method requires the following:

1. Masonry Units must be sampled and tested in accordance with ASTM C 140 Standard Test Method for Sampling and Testing Concrete Masonry Units and Related Units (ref. 5) and meet the requirements of either ASTM C 55 Standard Specifications for Concrete Brick (ref. 6) or ASTM C 90 Standard Specification for Loadbearing Concrete Masonry Units (ref.7).
2. Thickness of bed joints used in construction must not exceed 5/8".
3. If grouted masonry is used in construction, the grout must either meet the proportion or property specification of ASTM C 476 Standard Specification for Grout for Masonry (ref. 8). When property specifications are used, the compressive strength of the grout is determined in accordance with ASTM C 1019 Standard Test Method of Sampling and testing Grout (ref. 9).
4. Mortar must comply with requirements of ASTM C270 Standard Specification for Mortar for Unit Masonry (ref. 10) or ASTM C 1329 Standard Specification for Mortar Cement (ref. 12).

When higher strength masonry materials are specified, it is usually more cost effective to utilize the Prism Test Method to demonstrate compliance with f 'm due to the level of conservatism inherent in the Unit Strength Method. If testing larger CMU's using the Prism Method, cutting the units in half prior to constructing the prism will provide a more accurate assessment of the strength of the materials in the masonry prism as well as lessening the likelihood of damage occurring to the prism when handling and transporting. The practice of cutting larger units in half prior to construction of prisms is encouraged in ASTM C 1314 (Note 2) Standard Test Method for Compressive Strength of Masonry Prisms (ref. 3).

# TECHNICAL DATA

## COMPRESSIVE STRENGTHS - UNIT STRENGTH

### SPECIFICATIONS

All concrete masonry units manufactured by Amcon Block:

- 1) exceed minimum standards as established by ASTM C90 for load bearing concrete masonry units.
- 2) meet all existing code requirements (Minnesota State Building Code is based on the International Building Code- I.B.C.)

All standard weight aggregate conforms to the requirements of ASTM C33.

All lightweight aggregate conforms to the requirements of ASTM C331.

### SOUND TRANSMISSION

#### SOUND TRANSMISSION CLASS (STC) FOR SINGLE WYTHE CONCRETE MASONRY WALLS

WALL DESCRIPTION	4"	6"	8"	10"	12"
No Surface Treatment:					
Hollow, Standard Weight	44	45	48	50	51
Hollow, Lightweight	41	43	45	47	49
Solid, Standard Weight	45	48	54	55	56
<p>All STC ratings shown are calculated from test data and based on wall weights using standard and lightweight block as manufactured by Amcon Block.</p> <p>References:      (1) National Concrete Masonry Association Tek 13-01C.</p>					

### CORE FILLING DATA

Wall Thickness	Block Size (Inches)	% Solids	Cu. Ft. of Material to Fill One Block	# of Block Per Cu. Yard
6"	6 x 8 x 16 Regular	57	.22	122
8"	8 x 8 x 16 Regular	52	.27	100
8"	8 x 8 x 16 3-hour Rated	77	.18	151
8"	8 x 8 x 16 BB	-	.23	118.5
10"	10 x 8 x 16 Regular	51	.325	83
12"	12 x 8 x 16 Regular	45	.47	57
12"	12 x 8 x 16 3-hour Rated	47	.46	59
12"	12 x 8 x 16 4-hour Rated	57	.37	73
12"	12 x 8 x 16 Lintel	-	.485	55.5
12"	12 x 8 x 16 BB	-	.42	64.5
14"	14 x 8 x 16 Regular	46	.50	54
16"	16 x 8 x 16 Regular	44	.61	44

# TECHNICAL DATA

## SOUNDBLOX

### SOUND ABSORPTION COEFFICIENTS - TYPE RSC/RF and RSC

Size	Type	Surface	Exposed Slots/ Cavities	Frequency - Hertz																	NRC
				125	160	200	250	315	400	500	630	800	1000	1250	1600	2000	2500	3150	4000	5000	
8"	RSC/RF	PAINTED	2/5	.18	.22	.36	.64	1.12	1.16	1.02	.89	.76	.72	.76	.77	.80	.73	.68	.58	.65	<b>.80</b>
10"	RSC/RF	PAINTED	2/5	.18	.22	.36	.64	1.12	1.16	1.02	.89	.76	.72	.76	.77	.80	.73	.68	.58	.65	<b>.80</b>
12"	RSC/RF	PAINTED	2/5	.48	.70	.93	1.14	1.05	.97	.91	.84	.75	.76	.77	.70	.67	.68	.56	.51	.59	<b>.85</b>
12"	RSC/RF-4	PAINTED	2/5	.18	.22	.36	.64	1.12	1.16	1.02	.89	.76	.72	.76	.77	.80	.73	.68	.58	.65	<b>.80</b>
4"	RSC	PAINTED	2/3	.18	.22	.36	.64	1.12	1.16	1.02	.89	.76	.72	.76	.77	.80	.73	.68	.58	.65	<b>.80</b>
6"	RSC	PAINTED	2/3	.48	.70	.93	1.14	1.05	.97	.91	.84	.75	.76	.77	.70	.67	.68	.56	.51	.59	<b>.85</b>
8"	RSC	PAINTED	2/4	.48	.85	1.17	.99	.90	.88	.98	.79	.62	.58	.60	.61	.70	.69	.70	.64	.51	<b>.80</b>
12"	RSC	PAINTED	2/4	.57	*	*	.76	*	*	1.09	*	*	.94	*	*	.54	*	*	.59	*	<b>.85</b>

The above sound absorption data was determined by tests conducted at Geiger and Hamme Acoustical Laboratory in strict compliance with ASTM C423 specifications. Actual installed performance may vary.

\* Measurements at these frequencies were not taken.

# DELIVERY DATA

Unit Sizes & Type	Unit Dry Weight	Unit Per Cube	Weight Per Cube*	# Cubes 40,000 lb. Max Load	Total # of Blocks Per Load 40,000 lb.	# Cubes 48,000 lb. Max Load**	Total # of Blocks Per Load 48,000 lb.
2 x 8 x 16 Solid (SF)	15	240	3650	11	2640	13	3120
3 x 8 x 16 Solid (SF)	25	120	3050	13	1560	15	1800
4 x 4 x 16 Solid (SF, Bur. or RF)	19	180	3470	11	1980	13	2340
4 x 4 x 24 Solid (RF)	28	120	3410	12	1440	14	1680
4 x 8 x 16 Solid (SF or Bur.)	39	120	4730	8	960	10	1200
4 x 8 x 16 Solid (RF)	39	120	4730	8	960	10	1200
4 x 8 x 12 Solid (SF or Bur.)	29	160	4690	8	1280	10	1600
4 x 8 x 12 Solid (RF)	29	160	4690	8	1280	10	1600
4 x 8 x 24 Solid (SF, RF or Bur.)	60	60	3650	11	660	13	780
4 x 12 x 12 Solid (SF, Bur. or RF)	38	72	2786	14	1008		1224
4 x 12 x 16 Solid (SF, Bur. or RF)	54	60	3290	12	720	14	840
4 x 12 x 24 Solid (RF)	84	42	3578	11	462	13	546
4 x 16 x 24 Solid (RF)	112	30	3410	11	330	14	420
4 x 16 x 16 Solid (SF, Bur. or RF)	73	36	2678	15	540	18	648
6 x 4 x 16 Solid (SF, Bur. or RF)	28	120	3410	11	1320	14	1680
6 x 8 x 16 Solid (SF, Bur. or RF)	56	60	3410	11	660	14	840
8 x 8 x 16 Solid (SF or Bur.)	73	60	4430	9	540	10	600
8 x 8 x 16 Solid (RF)	73	60	4430	9	540	10	600
10 x 8 x 16 Solid (SF or Bur.)	85	36	3110	13	468	15	540
10 x 8 x 16 Solid (RF)	87	36	3182	12	432	15	540
12 x 8 x 16 Solid (SF or Bur.)	107	30	3260	12	360	14	420
12 x 8 x 16 Solid (RF)	109	30	3320	12	360	14	420

CODE: SF = Smooth Face  
 Bur. = Burnished Block  
 RF = Rock Face

\*Includes 50 lb. Pallet  
 \*\* Due to size and style of trucks and trailers, load weights may vary between 40,000 and 48,000 lb.



# DELIVERY DATA

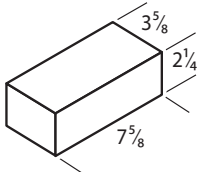
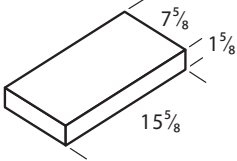
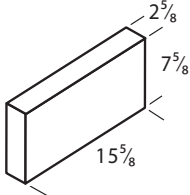
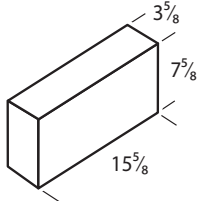
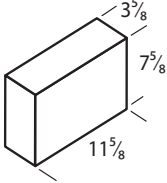
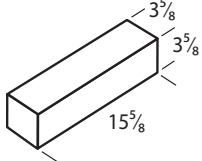
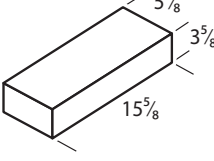
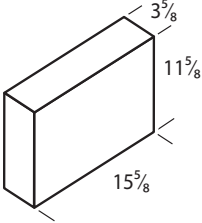
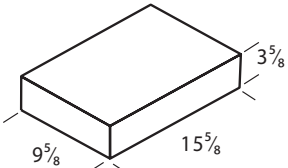
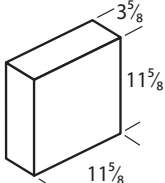
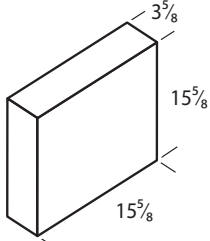
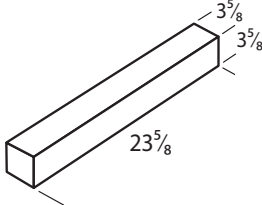
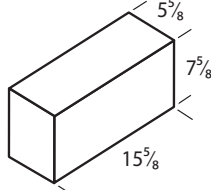
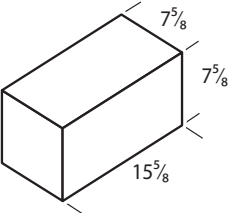
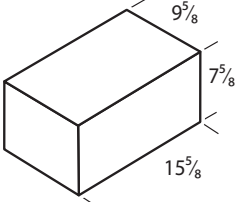
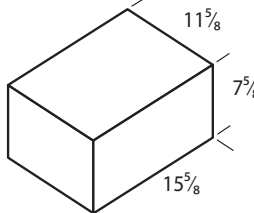
Unit Sizes & Type	Unit Dry Weight	Unit Per Cube	Weight Per Cube*	# Cubes 40,000 lb. Max Load	Total # of Blocks Per Load 40,000 lb.	# Cubes 48,000 lb. Max Load**	Total # of Blocks Per Load 48,000 lb.
4 x 8 x 16 Cored Std. Wt. (Bur.)	25	120	3050	13	1560	15	1800
4 x 8 x 16 Cored Std. Wt. (RF)	32	120	3850	10	1200	12	1440
4 x 8 x 16 Cored LW (SF, Bur.)	20	120	2450	16	1920	19	2280
6 x 8 x 16 Cored St. Wt. (Bur.)	31	100	3150	12	1200	15	1500
6 x 8 x 16 Std. Wt. (RF)	33	100	3350	12	1200	14	1400
6 x 8 x 16 Cored LW (SF or Bur.)	25	100	2550	15	1500	18	1800
8 x 8 x 16 Cored St. Wt. (SF or Bur.)	40	75	3050	13	975	15	1125
8 x 8 x 16 Cored Std. Wt. (RF)	43	75	3275	12	960	14	1050
8 x 8 x 16 Cored LW (SF or Bur.)	32	75	2450	16	1200	19	1425
8 x 8 x 16 Bond Beam Std. Wt. (SF or Bur.)	50	75	3800	10	750	12	900
8 x 8 x 16 Fill Top Std. Wt. (RF)	50	75	3800	10	750	12	900
8 x 8 x 16 Bond Beam LW (SF or Bur.)	39	75	2975	13	975	16	1200
8 x 8 x 16 Three Hour Fire Rated Units	50	75	3800	11	750	12	900
10 x 8 x 16 Cored St. Wt. (SF or Bur.)	47	65	3105	13	780	15	975
10 x 8 x 16 Cored St. Wt. (RF)	54	55	3020	13	715	15	825
10 x 8 x 16 Bond Beam Std. Wt. (SF or Bur.)	58	52	3066	13	676	15	780
10 x 8 x 16 Bond Beam LW (SF or Bur.)	36	52	2286	17	884	20	1040
12 x 8 x 16 Cored Std. Wt. (SF or Bur.)	51	60	3110	12	720	15	900
12 x 8 x 16 Cored Std. Wt. (RF)	53	50	2700	14	700	17	850
12 x 8 x 16 Cored LW (SF or Bur.)	42	60	2570	15	900	18	1080
12 x 8 x 16 Bond Beam Std. Wt. (SF or Bur.)	66	50	3350	12	600	14	700
12 x 8 x 16 Bond Beam Std. Wt. (RF)	68	50	3450	11	550	13	650
12 x 8 x 16 Bond Beam LW (SF or Bur.)	51	50	2600	15	750	18	900
12 x 8 x 16 Three Hour Fire Rated Units	58	60	3530	11	660	13	780
14 x 8 x 16 Cored Std. Wt. (SF or Bur.)	60	45	2750	14	630	17	765
14 x 8 x 16 Cored LW (SF or Bur.)	42	45	1940	20	900	20	900
16 x 8 x 16 Cored Std. Wt. (SF)	63	45	2885	14	630		720
16 x 8 x 16 Cored Std. Wt. (SF or Bur.)	63	25	1625	16	400	20	500
16 x 8 x 16 Cored LW. (SF or Bur.)	46	36	1442	16	576	20	720

CODE: SF = Smooth Face  
 Bur. = Burnished Block  
 RF = Rock Face  
 LW = Lightweight

\*Includes 50 lb. Pallet

\*\* Due to size and style of trucks and trailers, load weights may vary between 40,000 and 48,000 lb..

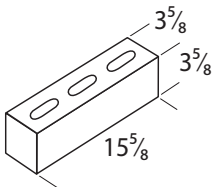
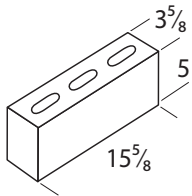
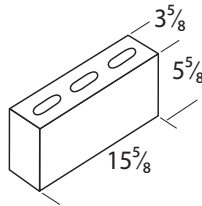
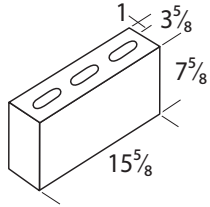
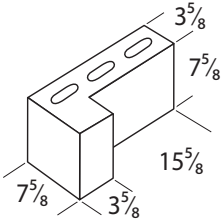
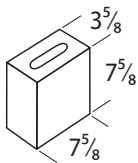
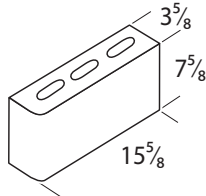
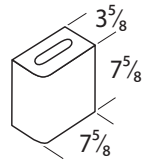
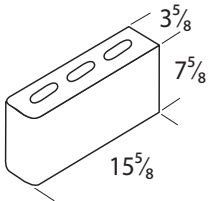
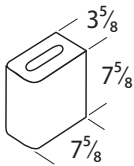
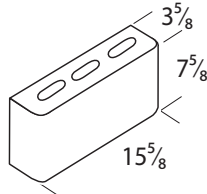
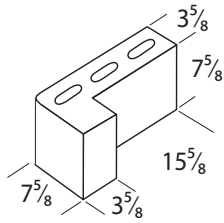
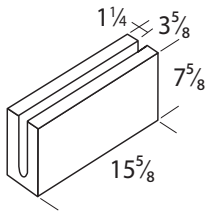
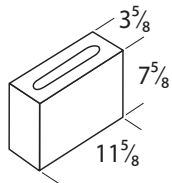
# SOLID BLOCK

 <p>CONCRETE BRICK 200290200000</p>	 <p>2" PATIO SOLID 200290700000</p>	 <p>3"x8"x16" SOLID 200390700000</p>	 <p>4"x8"x16" SOLID 200490700000</p>
 <p>4"x8"x12" SOLID 200478700000</p>	 <p>4"x4"x16" SOLID 200490400000</p>	 <p>6"x4"x16" SOLID 200690400000</p>	 <p>12"x4"x16" SOLID 201290400000</p>
 <p>10"x4"x16" SOLID 201090400000</p>	 <p>4"x12"x12" SOLID 201278400000</p>	 <p>4"x16"x16" SOLID 201690400000</p>	 <p>4"x4"x24" SOLID 202404400000</p>
 <p>6"x8"x16" SOLID 200690700000</p>	 <p>8"x8"x16" SOLID 200890700000</p>	 <p>10"x8"x16" SOLID 201090700000</p>	 <p>12"x8"x16" SOLID 201290700000</p>

NOTE: Product availability varies by plant location. Please contact your sales rep or the plant for inventory questions.

⑧ Denotes full 8" high units also available at some locations.

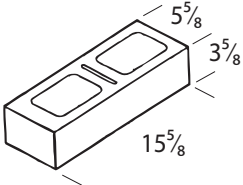
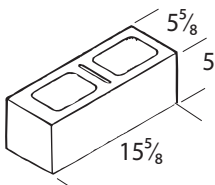
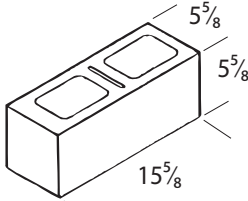
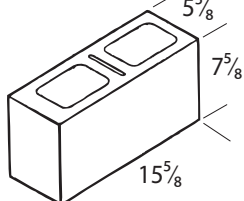
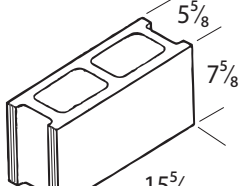
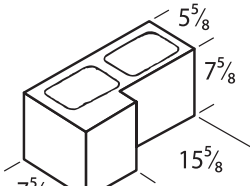
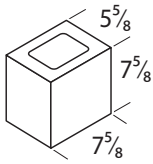
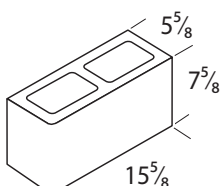
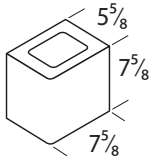
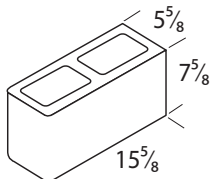
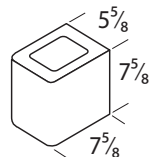
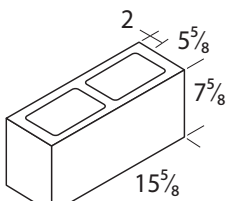
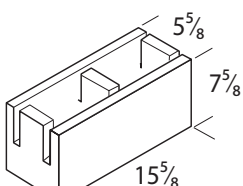
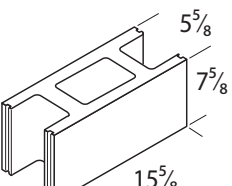
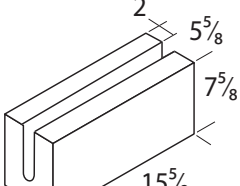
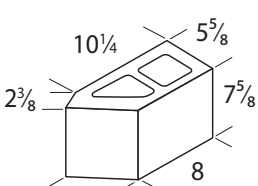
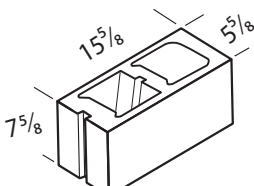
# 4" BLOCK

 <p>HALF HIGH 200400400000</p>	 <p>5" HIGH STARTER 200400500000</p>	 <p>5 5/8 HIGH STARTER 200400600000</p>	<p>8</p>  <p>REGULAR 200400700000</p>
 <p>L - CORNER 200403700000</p>	 <p>HALF SQUARE 200405700000</p>	 <p>SINGLE BULL NOSE 200406700000</p>	 <p>HALF SINGLE BULL NOSE 200407700000</p>
 <p>DOUBLE BULL NOSE 200410700000</p>	 <p>HALF DOUBLE BULL NOSE 200411700000</p>	 <p>SINGLE BULL NOSE TWO ENDS 200414700000</p>	 <p>L - CORNER SINGLE BULL NOSE 200446700000</p>
 <p>BOND BEAM 200472700000</p>	<p>8</p>  <p>3/4 LONG 200476700000</p>		

NOTE: Product availability varies by plant location. Please contact your sales rep or the plant for inventory questions.

8 Denotes full 8" high units also available at some locations.

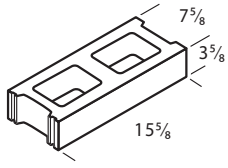
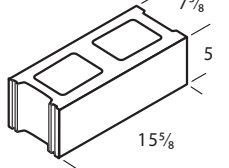
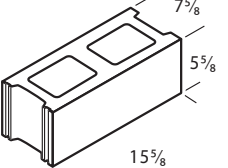
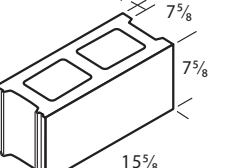
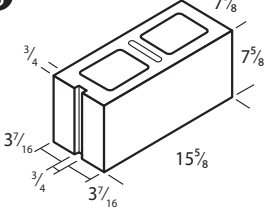
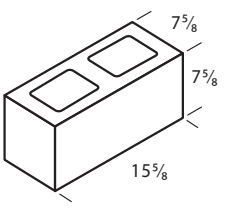
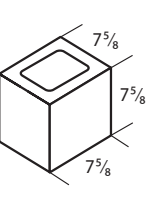
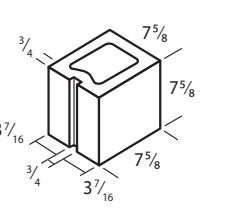
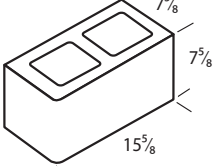
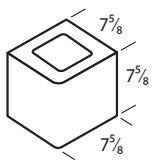
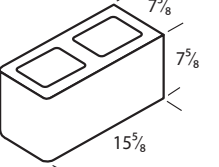
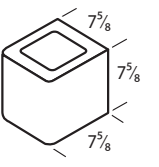
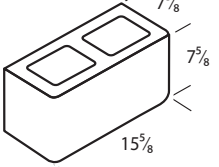
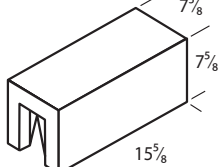
# 6" BLOCK

 <p><b>HALF HIGH</b> 200600400000</p>	 <p><b>5" HIGH STARTER</b> 200600500000</p>	 <p><b>5 5/8" HIGH STARTER</b> 200600600000</p>	 <p><b>MIXED</b> 200601700000</p>
 <p><b>MIXED</b> 200601700000</p>	 <p><b>L-CORNER</b> 200603700000</p>	 <p><b>HALF SQUARE</b> 200605700000</p>	 <p><b>SINGLE BULL NOSE</b> 200606700000</p>
 <p><b>HALF SINGLE BULL NOSE</b> 200607700000</p>	 <p><b>DOUBLE BULL NOSE</b> 200610700000</p>	 <p><b>HALF DOUBLE BULL NOSE</b> 200611700000</p>	 <p><b>6" 2 HOUR FIRE RATED</b> 200626700000</p>
 <p><b>FLOWTHRU</b> 200670700000</p>	 <p><b>OPEN CORE</b> 200671700000</p>	 <p><b>BOND BEAM</b> 200672700000</p>	 <p><b>45° MITER</b> 200679700000</p>
 <p><b>CONDUIT (KNOCKOUT)</b> 200673700000</p>			

NOTE: Product availability varies by plant location. Please contact your sales rep or the plant for inventory questions.

⑧ Denotes full 8" high units also available at some locations.

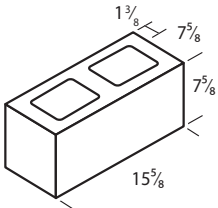
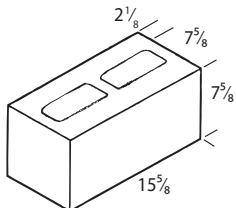
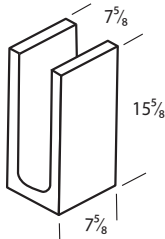
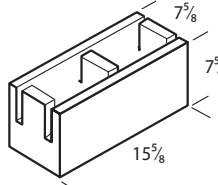
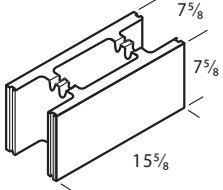
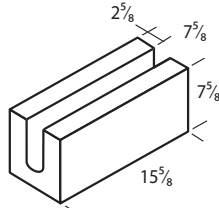
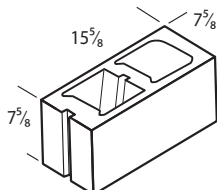
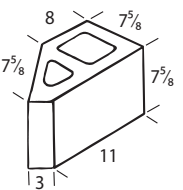
# 8" BLOCK

 <p>HALF HIGH 200800400000</p>	 <p>5" HIGH MIXED 200800500000</p>	 <p>5 5/8" HIGH MIXED 200800600000</p>	<p>8</p>  <p>MIXED 200801700000</p>
<p>8</p>  <p>FULL SQUARE W/ SASH 200802700000</p>	 <p>FULL SQUARE W/O SASH 201604700000</p>	 <p>HALF SQUARE W/O SASH 200804700000</p>	 <p>HALF SQUARE W/ SASH 200805700000</p>
 <p>SINGLE BULL NOSE 200806700000</p>	 <p>HALF SINGLE BULL NOSE 200807700000</p>	 <p>DOUBLE BULL NOSE 200810700000</p>	 <p>HALF DOUBLE BULL NOSE 200811700000</p>
 <p>SINGLE BULL NOSE TWO ENDS 200814700000</p>	<p>8</p>  <p>FILLTOP 200825700000</p>		

NOTE: Product availability varies by plant location. Please contact your sales rep or the plant for inventory questions.

8 Denotes full 8" high units also available at some locations.

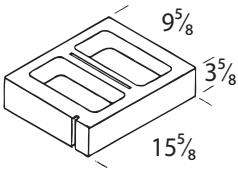
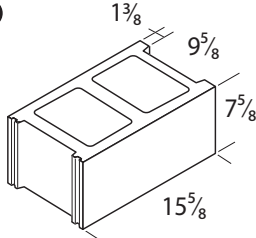
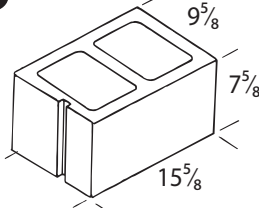
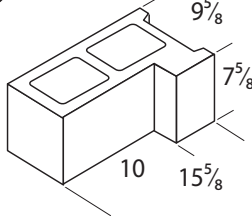
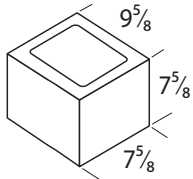
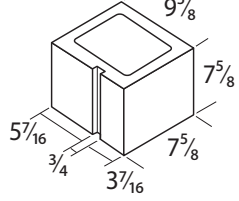
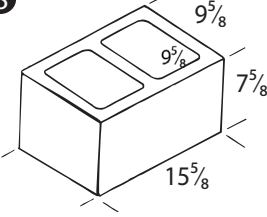
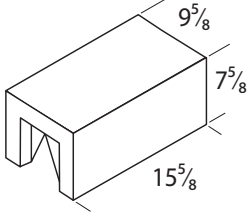
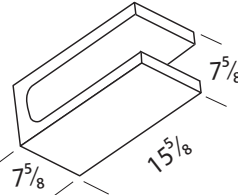
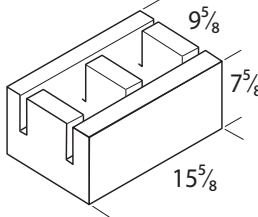
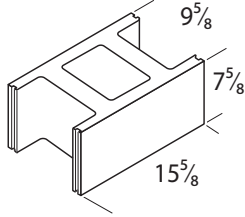
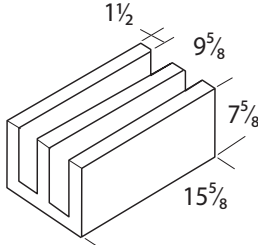
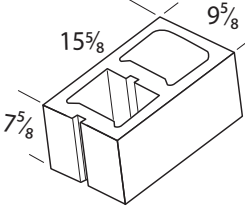
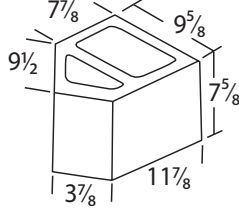
# 8" BLOCK

 <p>55.3% SOLID 2 HOUR FIRE RATED MIX 200826700000</p>	 <p>75% SOLID 3 HOUR FIRE RATED 200827700000</p>	 <p>8" HORSECOLLAR 200865700000</p>	 <p>FLOWTHRU 200870700000</p>
 <p>OPEN CORE 200871700000</p>	<p>⑧</p>  <p>BOND BEAM 200872700000</p>	 <p>CONDUIT (KNOCKOUT) 200873700000</p>	<p>⑧</p>  <p>45° MITER 200879700000</p>

NOTE: Product availability varies by plant location. Please contact your sales rep or the plant for inventory questions.

⑧ Denotes full 8" high units also available at some locations.

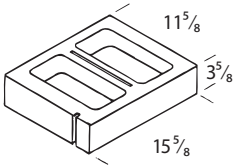
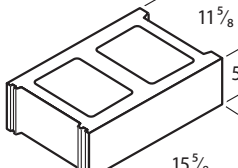
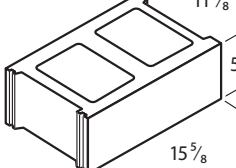
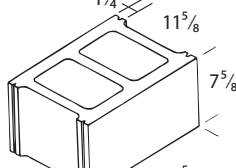
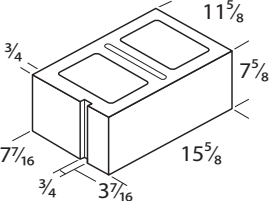
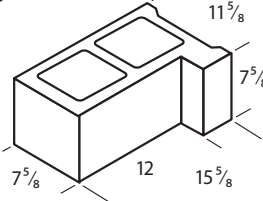
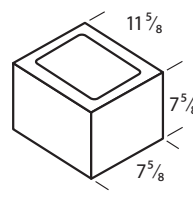
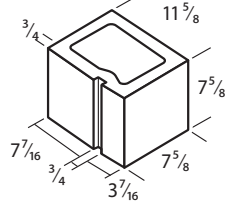
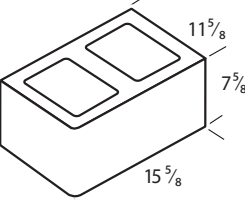
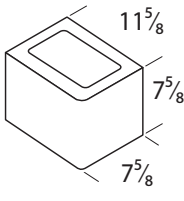
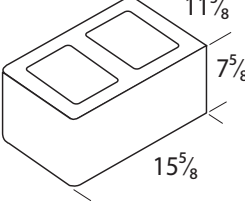
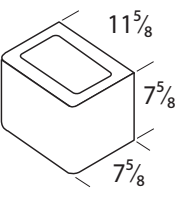
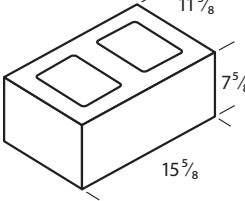
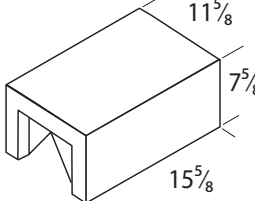
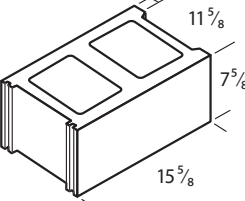
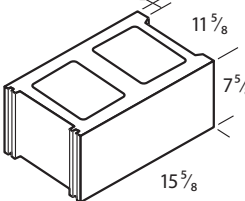
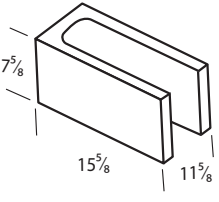
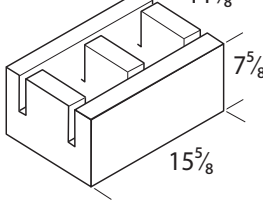
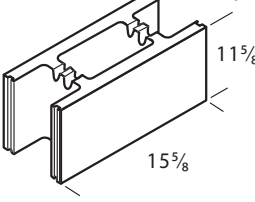
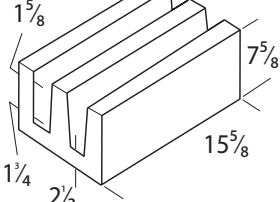
# 10" BLOCK

 <p>HALF HIGH MIXED 201001400000</p>	<p>8</p>  <p>REGULAR 201000700000</p>	<p>8</p>  <p>FULL SQUARE W/ SASH 201002700000</p>	<p>8</p>  <p>L-CORNER 201003700000</p>
<p>8</p>  <p>HALF SQUARE W/O SASH 201004700000</p>	<p>8</p>  <p>HALF SQUARE W/ SASH 201005700000</p>	<p>8</p>  <p>FULL SQUARE W/O SASH 201012700000</p>	<p>8</p>  <p>FILL TOP 201025700000</p>
 <p>10" HORSECOLLAR 201065700000</p>	 <p>FLOWTHRU 201070700000</p>	 <p>OPEN CORE 201071700000</p>	 <p>BOND BEAM 201072700000</p>
 <p>CONDUIT (KNOCKOUT) 201073700000</p>	 <p>45 DEGREE MITER 201079700000</p>		

NOTE: Product availability varies by plant location. Please contact your sales rep or the plant for inventory questions.

8 Denotes full 8" high units also available at some locations.

# 12" BLOCK

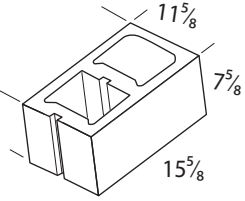
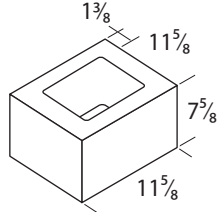
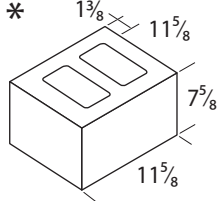
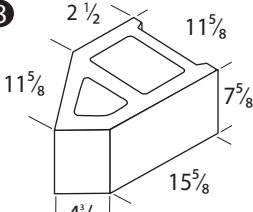
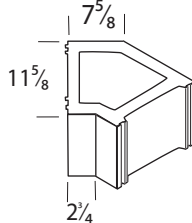
 <p><b>HALF HIGH</b> 201201400000</p>	 <p><b>5" HIGH STARTER</b> 201200500000</p>	 <p><b>5 5/8" HIGH STARTER</b> 201200600000</p>	 <p><b>REGULAR</b> 201200700000</p>
 <p><b>FULL SQUARE W/ SASH</b> 201202700000</p>	 <p><b>L-CORNER</b> 201203700000</p>	 <p><b>HALF SQUARE</b> 201204700000</p>	 <p><b>HALF SQ W/ SASH</b> 201205700000</p>
 <p><b>SINGLE BULL NOSE</b> 201206700000</p>	 <p><b>HALF SINGLE BULL NOSE</b> 201207700000</p>	 <p><b>DOUBLE BULL NOSE</b> 201210700000</p>	 <p><b>HALF DOUBLE BULL NOSE</b> 201211700000</p>
 <p><b>FULL SQUARE NO SASH</b> 201212700000</p>	 <p><b>FILL TOP</b> 201225700000</p>	 <p><b>3 HR FIRE RATED</b> 201227700000</p>	 <p><b>4 HR FIRE RATED</b> 201228700000</p>
 <p><b>8" HORSECOLLAR</b> 201265700000</p>	 <p><b>FLOWTHRU</b> 201270700000</p>	 <p><b>OPEN CORE</b> 200871700000</p>	 <p><b>BOND BEAM</b> 201272700000</p>

NOTE: Product availability varies by plant location. Please contact your sales rep or the plant for inventory questions.

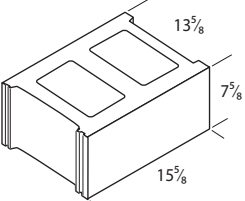
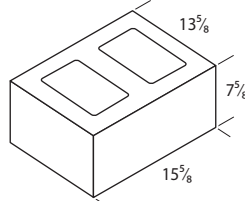
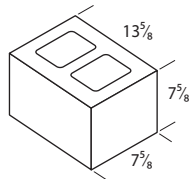
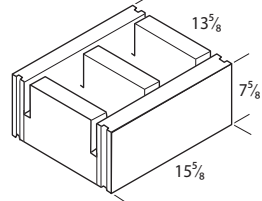
⑧ Denotes full 8" high units also available at some locations.



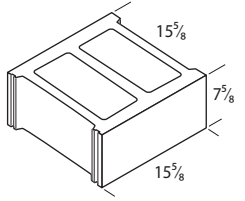
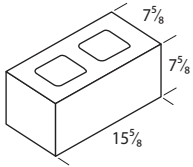
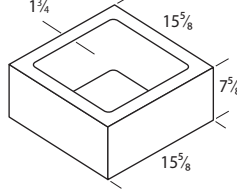
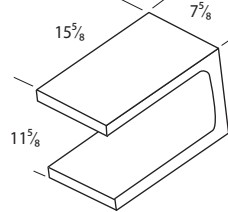
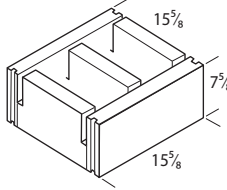
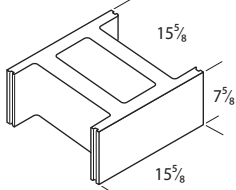
# 12" BLOCK

 <p>CONDUIT (KNOCKOUT) 201273700000</p>	 <p>3/4" LONG COLUMN 201276700000</p>	 <p>3/4" LONG COLUMN W/WEB 201277700000</p>	 <p>45° MITER CORNER 201279700000</p>
 <p>12" 45° BIRDHOUSE 201209700000</p>			

# 14" BLOCK

 <p>REGULAR 201400700000</p>	 <p>FULL SQUARE 201412700000</p>	 <p>HALF SQUARE 201404700000</p>	 <p>FLOWTHRU 201470700000</p>
--	--	--	---

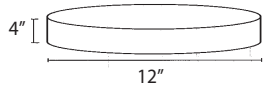
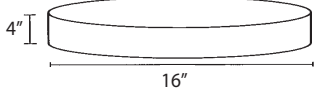
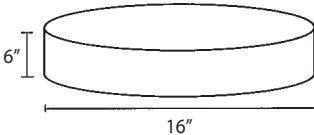
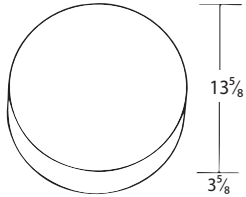
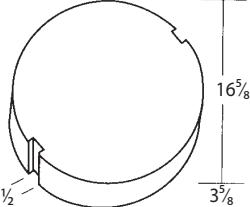
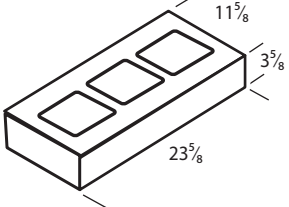
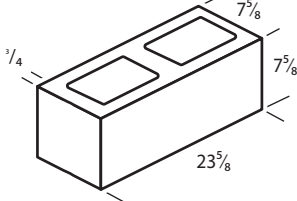
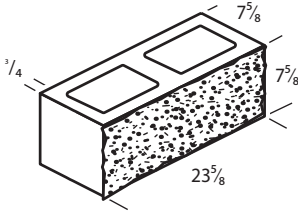
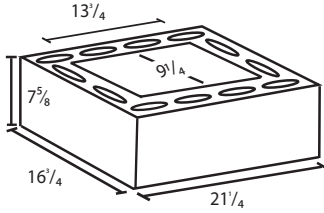
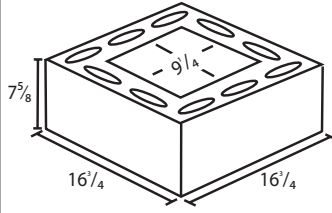
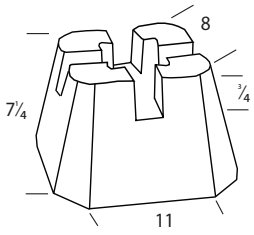
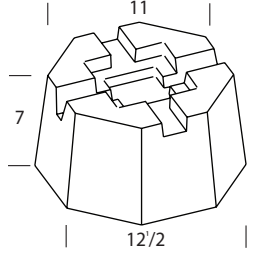
# 16" BLOCK

 <p>REGULAR 201600700000</p>	 <p>HALF SQUARE 201604700000</p>	 <p>FULL SQUARE 201612700000</p>	 <p>HORSECOLLAR 201265700000</p>
 <p>FLOWTHRU 201670700000</p>	 <p>OPEN CORE 201671700000</p>		

NOTE: Product availability varies by plant location. Please contact your sales rep or the plant for inventory questions.

⑧ Denotes full 8" high units also available at some locations.

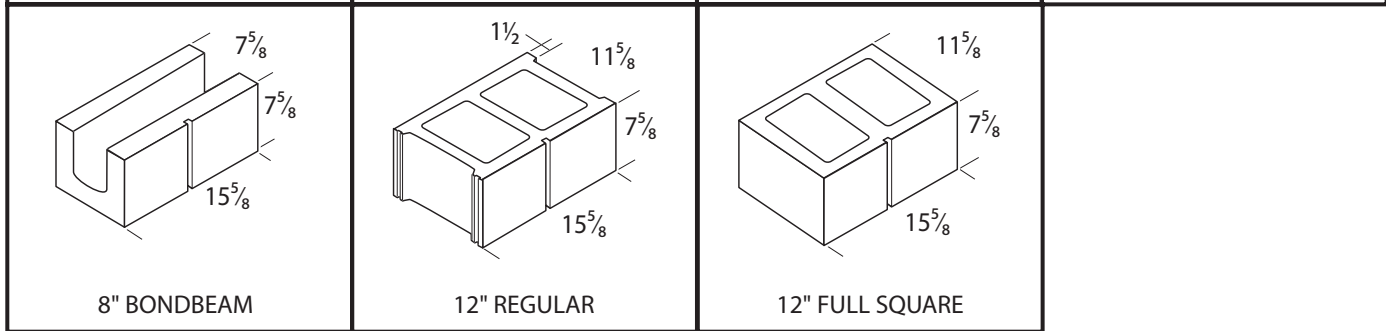
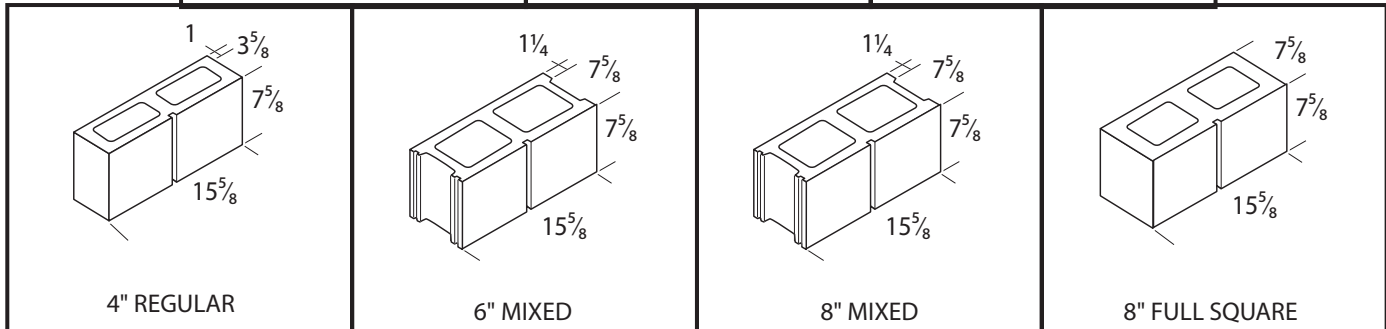
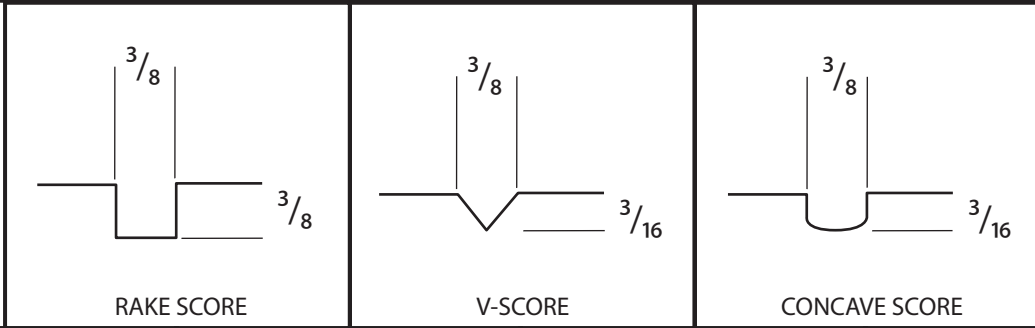
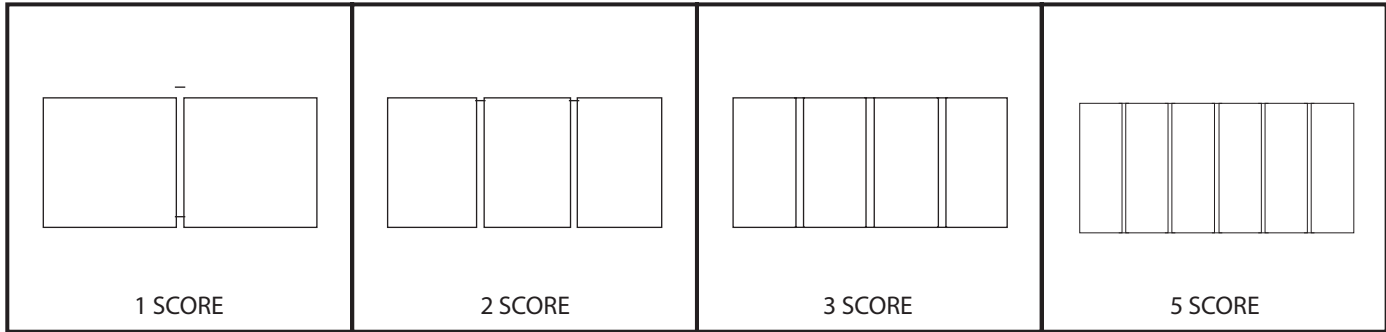
# 24" BLOCK & SPECIAL SHAPES

 <p>12"x4" POLE BARN PAD 201250400000</p>	 <p>16"x4" POLE BARN PAD 201650400000</p>	 <p>16"x6" POLE BARN PAD 201650600000</p>	 <p>14"x4" POLE BARN PAD 201450400000</p>
 <p>17"x4" POLE BARN PAD 201750400000</p>	 <p>12" 24" LONG HALF HIGH 201248400000</p>	 <p>8"x8"x24" FULL SQUARE</p>	 <p>8"x8"x24" FULL SQUARE ROCK FACE</p>
 <p>8"x12" CHIMNEY BLOCK 201260800000</p>	 <p>8"x8" CHIMNEY BLOCK 200860800000</p>	 <p>DEK BLOCK 201167700000</p>	 <p>6"x6" DEK BLOCK (PRECAST)</p>

NOTE: Product availability varies by plant location. Please contact your sales rep or the plant for inventory questions.

⑧ Denotes full 8" high units also available at some locations.

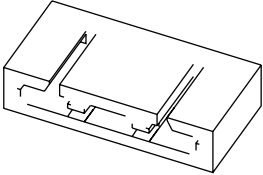
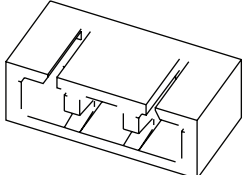
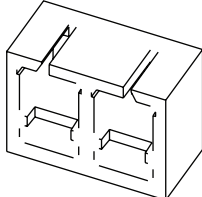
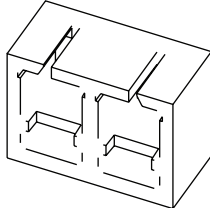
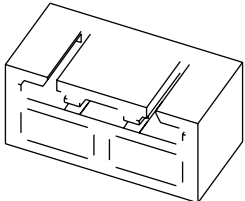
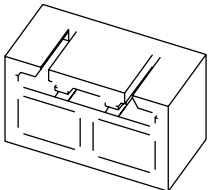
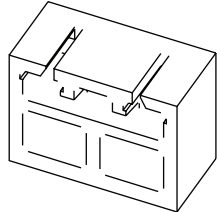
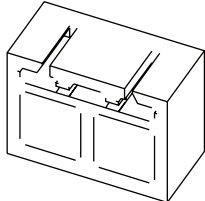
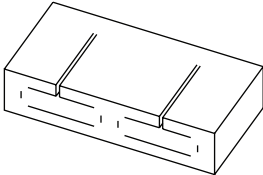
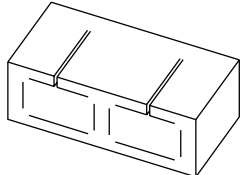
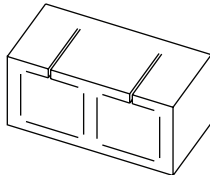
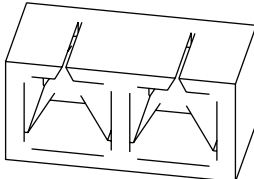
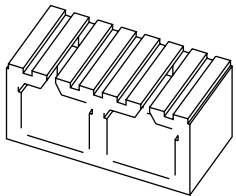
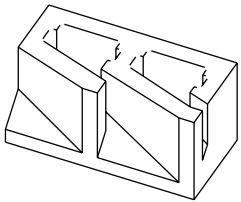
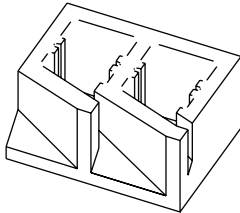
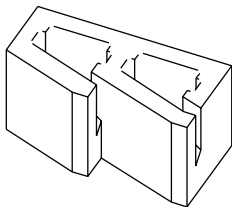
# SCORED BLOCK



NOTE: Product availability varies by plant location. Please contact your sales rep or the plant for inventory questions.

⑧ Denotes full 8" high units also available at some locations.

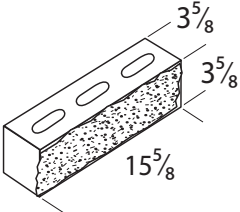
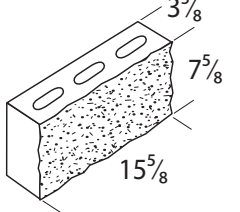
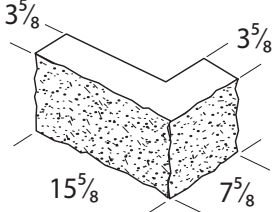
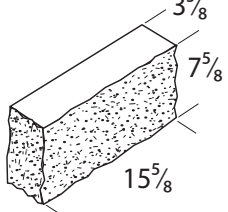
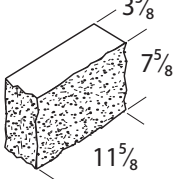
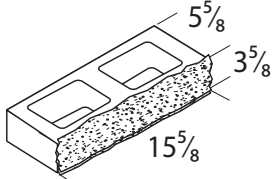
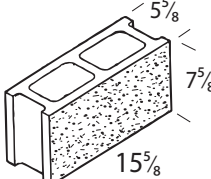
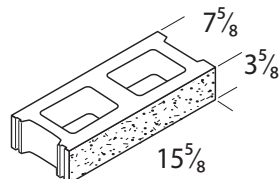
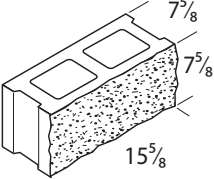
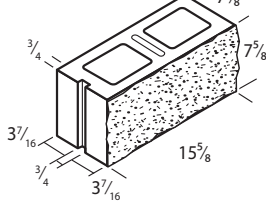
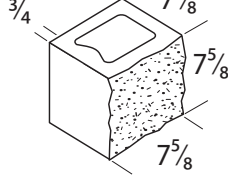
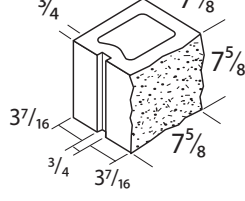
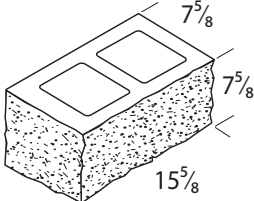
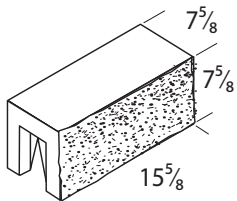
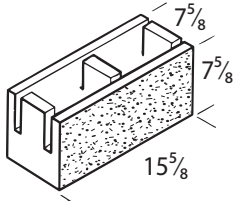
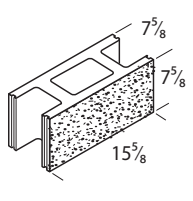
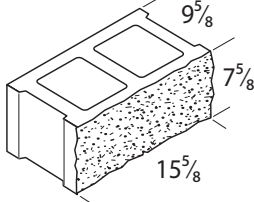
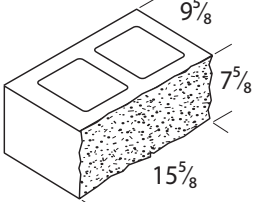
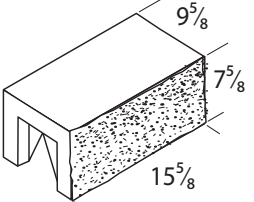
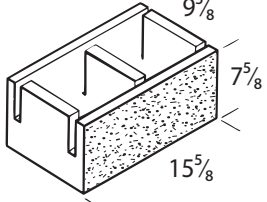
# SOUNDBLOX/SOUNDCELL

 <p>TYPE RSC (4") 200433700000</p>	 <p>TYPE RSC (6") 200633700000</p>	 <p>TYPE RSC (8") 200833700000</p>	 <p>TYPE RSC (12") 201233700000</p>
 <p>TYPE RSC/RF (8") 200832700000</p>	 <p>TYPE RSC/RF (10") 201032700000</p>	 <p>TYPE RSC/RF (12") 201232700000</p>	 <p>TYPE RSC/RF 4 (12") 201432700000</p>
 <p>TYPE A-1 (4") 200434700000</p>	 <p>TYPE A-1 (6") 200634700000</p>	 <p>TYPE A-1 (8") 200834700000</p>	 <p>TYPE Q (8" ONLY) 200835700000</p>
 <p>TYPE RSR (8" ONLY) 200836700000</p>	 <p>SOUNDCELL (8") 200831700000</p>	 <p>SOUNDCELL (12") 201231700000</p>	 <p>ACOUSTADE (8") 200837700000</p>

NOTE: Product availability varies by plant location. Please contact your sales rep or the plant for inventory questions.

⑧ Denotes full 8" high units also available at some locations.

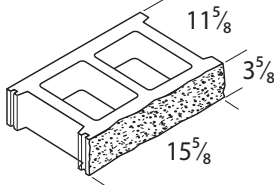
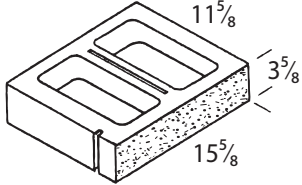
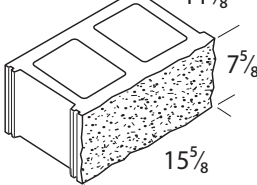
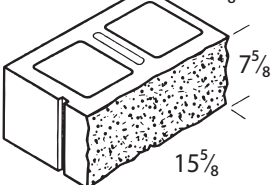
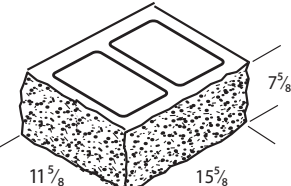
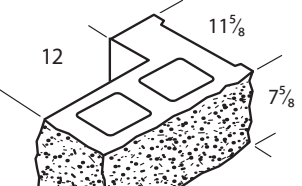
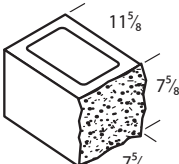
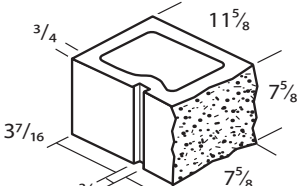
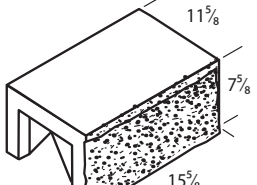
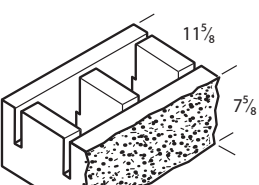
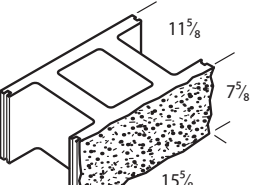
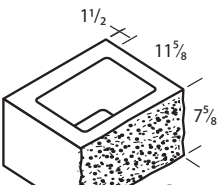
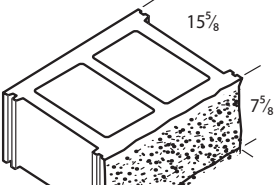
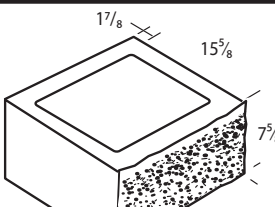
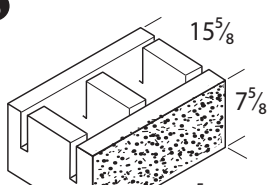
# ROCK FACE

 <p>4" HALF HIGH 2704004000100207</p>	 <p>4" REGULAR 2704007000100207</p>	 <p>4" L-CORNER 2704037000090207</p>	 <p>4" SOLID FACE &amp; END CORNER 2704907000090207</p>
 <p>4" <sup>3</sup>/<sub>4</sub> LONG FACE &amp; END CORNER 2704767000090207</p>	 <p>6" HALF HIGH MIXED 2706014000100207</p>	 <p>6" MIXED 2706017000100207</p>	 <p>8" HALF HIGH 2708014000100207</p>
 <p>8" MIXED 2708017000100207</p>	 <p>8" FULL SQ W/SASH 200802700000207</p>	 <p>8" HALF SQUARE W/O SASH 2708047000100207</p>	 <p>8" HALF SQUARE W/ SASH 270805700100207</p>
 <p>8" FACE &amp; END CORNER 2708037000090207</p>	 <p>8" FILL TOP 2708257000100207</p>	 <p>8" FLOWTHRU 2708707000100207</p>	 <p>8" OPEN CORE 2708717000100207</p>
 <p>10" REGULAR 2710007000100207</p>	 <p>10" FULL SQUARE 2710027000100207</p>	 <p>10" FILL TOP 2710257000100207</p>	 <p>10" FLOWTHRU 2710707000100207</p>

NOTE: Product availability varies by plant location. Please contact your sales rep or the plant for inventory questions.

Ⓢ Denotes full 8" high units also available at some locations.

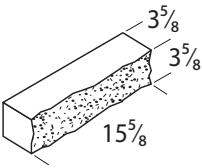
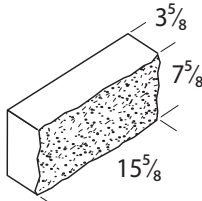
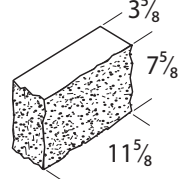
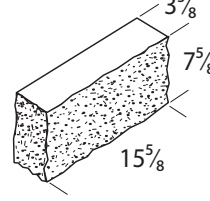
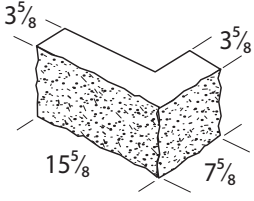
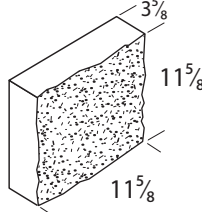
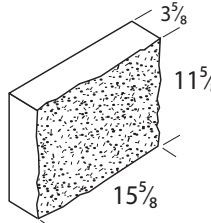
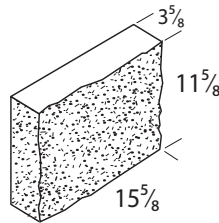
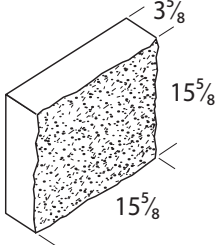
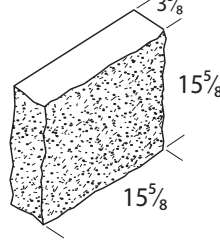
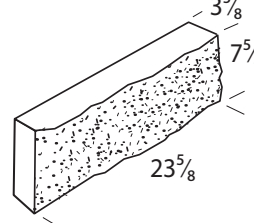
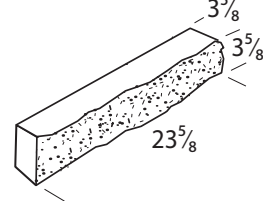
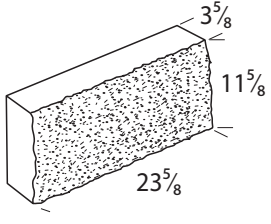
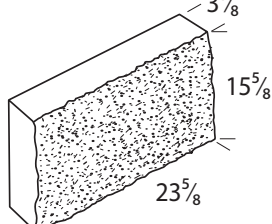
# ROCK FACE

 <p>12" HALF HIGH MIXED 271201400000207</p>	 <p>12" HALF HIGH FULL SQUARE 2712024000100207</p>	 <p>12" REGULAR 2712007000100207</p>	 <p>12" FULL SQUARE W/ SASH 2012027000100207</p>
 <p>12" FULL SQUARE FACE &amp; END 2712027000080207</p>	 <p>12" L-CORNER 2712037000090207</p>	 <p>12" HALF SQUARE W/O SASH 2712047000100207</p>	 <p>12" HALF SQUARE W/ SASH 2712057000100207</p>
 <p>12" FILLTOP 2712257000100207</p>	 <p>12" FLOWTHRU 2712707000100207</p>	 <p>12" OPEN CORE 2712717000100207</p>	 <p>12" 3/4 LONG 2712767000100207</p>
 <p>16" REGULAR 2716007000100207</p>	 <p>16" FULL SQUARE 2716127000100207</p>	 <p>16" FLOWTHRU 2716707000100207</p>	

NOTE: Product availability varies by plant location. Please contact your sales rep or the plant for inventory questions.

⑧ Denotes full 8" high units also available at some locations.

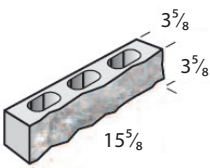
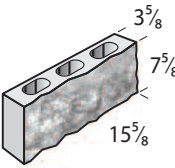
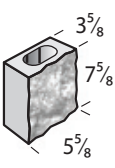
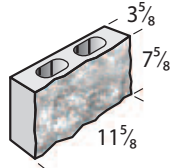
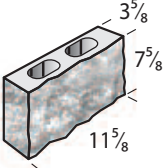
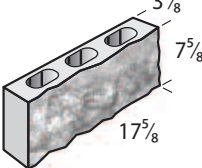
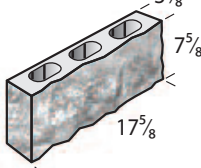
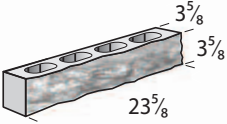
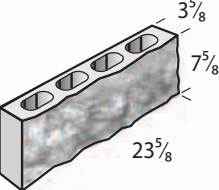
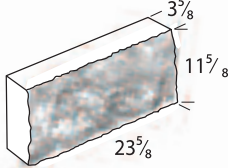
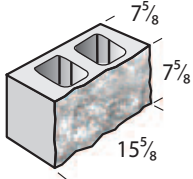
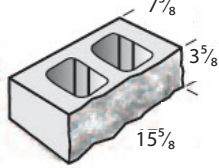
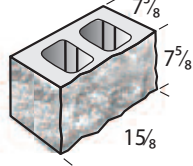
# MAMMOTH STONE® SERIES

 <p>4"x4"x16" SOLID</p>	 <p>4"x8"x16" SOLID</p>	 <p>4"x8"x12" FACE &amp; END</p>	 <p>4"x8"x16" SOLID FACE &amp; END CORNER</p>
 <p>4"x8"x16" SOLID L-CORNER</p>	 <p>4"x12"x12" SOLID</p>	 <p>4"x12"x16" SOLID</p>	 <p>4"x12"x16" SOLID FACE &amp; END CORNER</p>
 <p>4"x16"x16" SOLID</p>	 <p>4"x16"x16" SOLID FACE &amp; END CORNER</p>	 <p>4"x 8"x 24" SOLID</p>	 <p>4"x 4"x 24" SOLID</p>
 <p>4"x12"x24" SOLID</p>	 <p>4"x16"x24" SOLID</p>	<p>All Mammoth Stone shapes are available in Rock Face (shown), Burnished, Travertina™, and Ultra-Fine textures.</p>	

NOTE: Product availability varies by plant location. Please contact your sales rep or the plant for inventory questions.

⑧ Denotes full 8" high units also available at some locations.

# STONE MASON™ SERIES

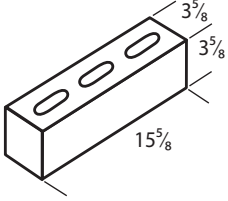
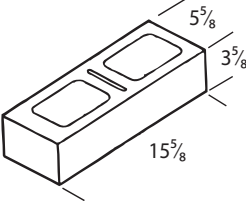
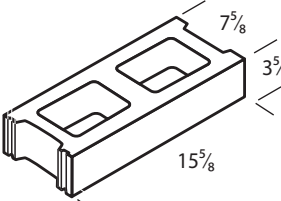
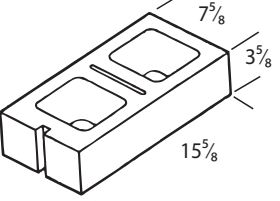
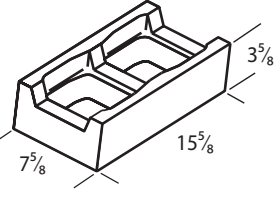
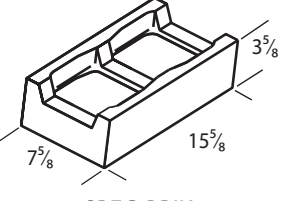
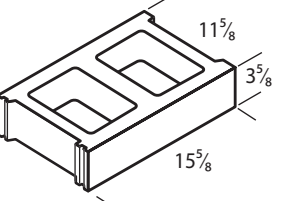
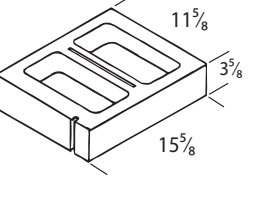
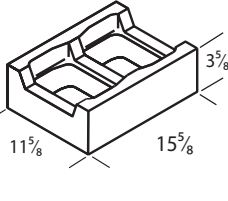
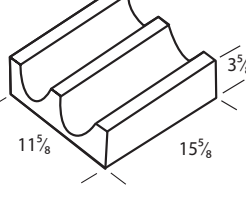
 <p>4"x4"x16" STONE MASON</p>	 <p>4"x8"x16" STONE MASON</p>	 <p>4"x8"x6" STONE MASON</p>	 <p>4"x8"x12" STONE MASON</p>
 <p>4"x8"x12" CORNER STONE MASON</p>	 <p>4"x8"x18" STONE MASON</p>	 <p>4"x8"x18" CORNER STONE MASON</p>	 <p>4"x4"x24" STONE MASON</p>
 <p>4"x8"x24" STONE MASON</p>	 <p>4"x12"x24" SOLID</p>	 <p>8"x8"x16" CORNER STONE MASON</p>	 <p>8"x4"x16" STONE MASON</p>
 <p>8"x8"x16" CORNER STONE MASON</p>	<p>Mixed Cubes: 6", 12" and 18" long units:            Square Feet per cube- 73.6            Pieces per cube- 120 (40 pieces of each size)            Weight per cube- 2880 lb</p> <p>Mixed Cubes: 6", 12" and 24" long units:            Square feet per cube- 69.12            Pieces per cube- 96 (32 pieces of each size)            Weight per cube- 2688</p>		<p>Mixed Cubes: 6", 12" and 18" long corner units:            Square feet per cube- 88.8            Pieces per cube- 120 (40 pieces of each size)            Weight per cube 2880</p>

NOTE: Product availability varies by plant location. Please contact your sales rep or the plant for inventory questions.

⑧ Denotes full 8" high units also available at some locations.



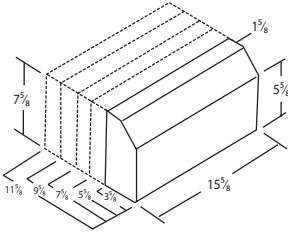
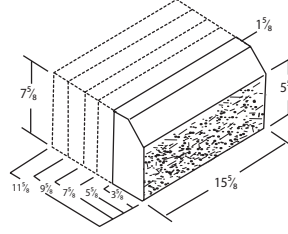
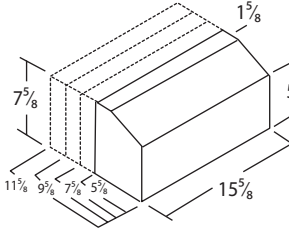
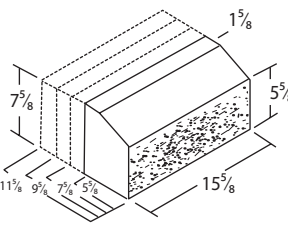
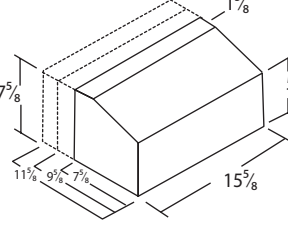
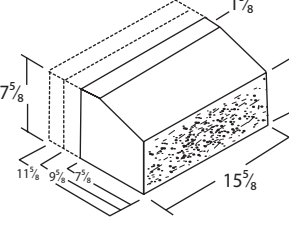
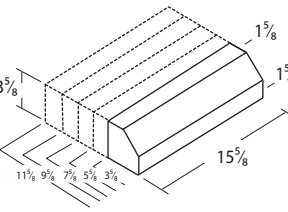
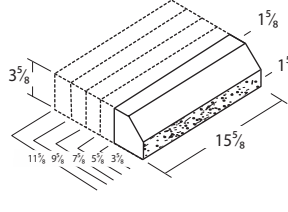
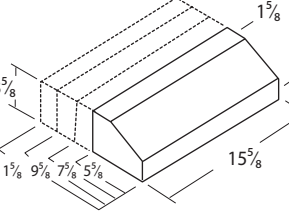
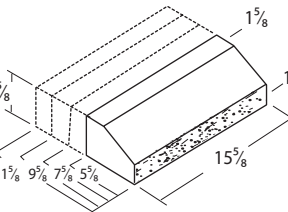
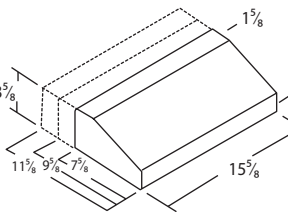
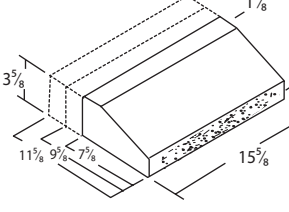
# SPEC-BRIK® SERIES

 <p>SPEC-BRIK 4" HALF HIGH</p>	 <p>SPEC-BRIK 6" HALF HIGH</p>	 <p>SPEC-BRIK 8" HALF HIGH</p>	 <p>SPEC-BRIK - 8" HALF HIGH FULL SQ W/ SASH</p>
 <p>SPEC-BRIK 8" HALF HIGH FLOWTHRU</p>	 <p>SPEC-BRIK 8" HALF HIGH SOLID BOTTOM</p>	 <p>SPEC-BRIK 12" HALF HIGH REGULAR</p>	 <p>SPEC-BRIK 12" HALF HIGH FULL SQ END W/ SASH</p>
 <p>SPEC-BRIK 12" HALF HIGH FLOWTHRU</p>	 <p>SPEC-BRIK 12" HALF HIGH BOND BEAM</p>		

NOTE: Product availability varies by plant location. Please contact your sales rep or the plant for inventory questions.

⑧ Denotes full 8" high units also available at some locations.

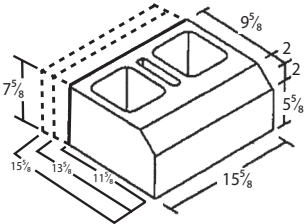
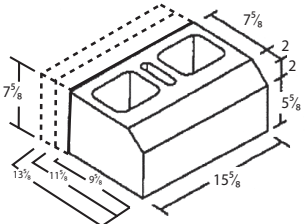
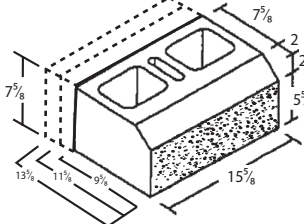
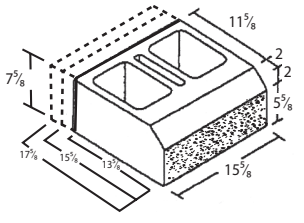
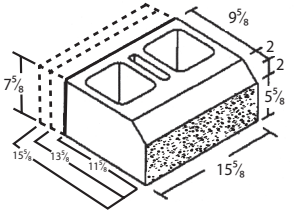
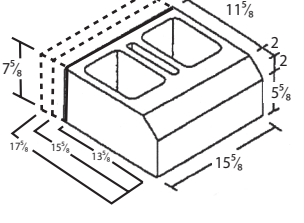
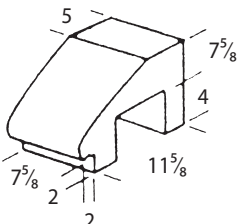
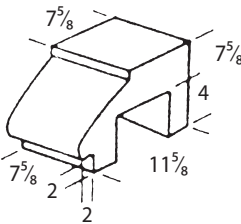
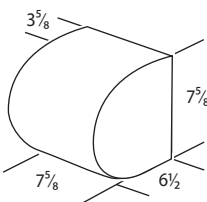
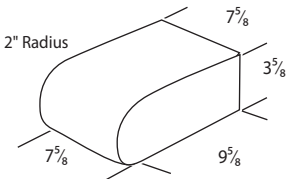
# SILL BLOCK

 <p> <math>3 \frac{5}{8} \times 7 \frac{5}{8} \times 15 \frac{5}{8}</math>  <math>5 \frac{5}{8} \times 7 \frac{5}{8} \times 15 \frac{5}{8}</math>  <math>7 \frac{5}{8} \times 7 \frac{5}{8} \times 15 \frac{5}{8}</math>  <math>9 \frac{5}{8} \times 7 \frac{5}{8} \times 15 \frac{5}{8}</math>  <math>11 \frac{5}{8} \times 7 \frac{5}{8} \times 15 \frac{5}{8}</math> </p>	 <p> <math>3 \frac{5}{8} \times 7 \frac{5}{8} \times 15 \frac{5}{8}</math>  <math>5 \frac{5}{8} \times 7 \frac{5}{8} \times 15 \frac{5}{8}</math>  <math>7 \frac{5}{8} \times 7 \frac{5}{8} \times 15 \frac{5}{8}</math>  <math>9 \frac{5}{8} \times 7 \frac{5}{8} \times 15 \frac{5}{8}</math>  <math>11 \frac{5}{8} \times 7 \frac{5}{8} \times 15 \frac{5}{8}</math> </p>	 <p> <math>5 \frac{5}{8} \times 7 \frac{5}{8} \times 15 \frac{5}{8}</math>  <math>7 \frac{5}{8} \times 7 \frac{5}{8} \times 15 \frac{5}{8}</math>  <math>9 \frac{5}{8} \times 7 \frac{5}{8} \times 15 \frac{5}{8}</math>  <math>11 \frac{5}{8} \times 7 \frac{5}{8} \times 15 \frac{5}{8}</math> </p>
 <p> <math>5 \frac{5}{8} \times 7 \frac{5}{8} \times 15 \frac{5}{8}</math>  <math>7 \frac{5}{8} \times 7 \frac{5}{8} \times 15 \frac{5}{8}</math>  <math>9 \frac{5}{8} \times 7 \frac{5}{8} \times 15 \frac{5}{8}</math>  <math>11 \frac{5}{8} \times 7 \frac{5}{8} \times 15 \frac{5}{8}</math> </p>	 <p> <math>7 \frac{5}{8} \times 7 \frac{5}{8} \times 15 \frac{5}{8}</math>  <math>9 \frac{5}{8} \times 7 \frac{5}{8} \times 15 \frac{5}{8}</math>  <math>11 \frac{5}{8} \times 7 \frac{5}{8} \times 15 \frac{5}{8}</math> </p>	 <p> <math>7 \frac{5}{8} \times 7 \frac{5}{8} \times 15 \frac{5}{8}</math>  <math>9 \frac{5}{8} \times 7 \frac{5}{8} \times 15 \frac{5}{8}</math>  <math>11 \frac{5}{8} \times 7 \frac{5}{8} \times 15 \frac{5}{8}</math> </p>
 <p> <math>3 \frac{5}{8} \times 3 \frac{5}{8} \times 15 \frac{5}{8}</math>  <math>5 \frac{5}{8} \times 3 \frac{5}{8} \times 15 \frac{5}{8}</math>  <math>7 \frac{5}{8} \times 3 \frac{5}{8} \times 15 \frac{5}{8}</math>  <math>9 \frac{5}{8} \times 3 \frac{5}{8} \times 15 \frac{5}{8}</math>  <math>11 \frac{5}{8} \times 3 \frac{5}{8} \times 15 \frac{5}{8}</math> </p>	 <p> <math>3 \frac{5}{8} \times 3 \frac{5}{8} \times 15 \frac{5}{8}</math>  <math>5 \frac{5}{8} \times 3 \frac{5}{8} \times 15 \frac{5}{8}</math>  <math>7 \frac{5}{8} \times 3 \frac{5}{8} \times 15 \frac{5}{8}</math>  <math>9 \frac{5}{8} \times 3 \frac{5}{8} \times 15 \frac{5}{8}</math>  <math>11 \frac{5}{8} \times 3 \frac{5}{8} \times 15 \frac{5}{8}</math> </p>	 <p> <math>5 \frac{5}{8} \times 3 \frac{5}{8} \times 15 \frac{5}{8}</math>  <math>7 \frac{5}{8} \times 3 \frac{5}{8} \times 15 \frac{5}{8}</math>  <math>9 \frac{5}{8} \times 3 \frac{5}{8} \times 15 \frac{5}{8}</math>  <math>11 \frac{5}{8} \times 3 \frac{5}{8} \times 15 \frac{5}{8}</math> </p>
 <p> <math>5 \frac{5}{8} \times 3 \frac{5}{8} \times 15 \frac{5}{8}</math>  <math>7 \frac{5}{8} \times 3 \frac{5}{8} \times 15 \frac{5}{8}</math>  <math>9 \frac{5}{8} \times 3 \frac{5}{8} \times 15 \frac{5}{8}</math>  <math>11 \frac{5}{8} \times 3 \frac{5}{8} \times 15 \frac{5}{8}</math> </p>	 <p> <math>7 \frac{5}{8} \times 3 \frac{5}{8} \times 15 \frac{5}{8}</math>  <math>9 \frac{5}{8} \times 3 \frac{5}{8} \times 15 \frac{5}{8}</math>  <math>11 \frac{5}{8} \times 3 \frac{5}{8} \times 15 \frac{5}{8}</math> </p>	 <p> <math>7 \frac{5}{8} \times 3 \frac{5}{8} \times 15 \frac{5}{8}</math>  <math>9 \frac{5}{8} \times 3 \frac{5}{8} \times 15 \frac{5}{8}</math>  <math>11 \frac{5}{8} \times 3 \frac{5}{8} \times 15 \frac{5}{8}</math> </p>

NOTE: Product availability varies by plant location. Please contact your sales rep or the plant for inventory questions.

⑧ Denotes full 8" high units also available at some locations.

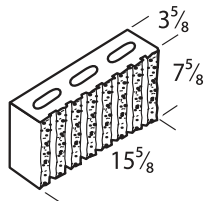
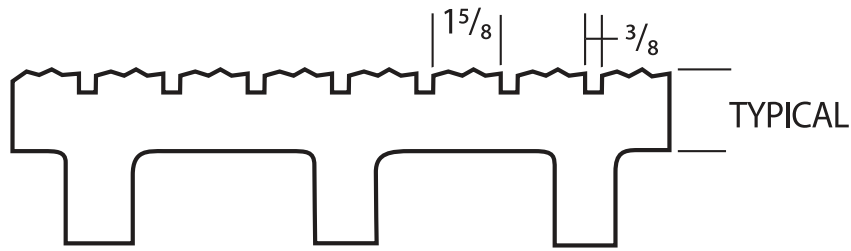
# SILL BLOCK

 <p> <math>9 \frac{5}{8} \times 7 \frac{5}{8} \times 15 \frac{5}{8}</math>  <math>11 \frac{1}{8} \times 7 \frac{5}{8} \times 15 \frac{5}{8}</math>  <math>13 \frac{5}{8} \times 7 \frac{5}{8} \times 15 \frac{5}{8}</math> </p>	 <p> <math>11 \frac{5}{8} \times 7 \frac{5}{8} \times 15 \frac{5}{8}</math>  <math>13 \frac{5}{8} \times 7 \frac{5}{8} \times 15 \frac{5}{8}</math>  <math>15 \frac{5}{8} \times 7 \frac{5}{8} \times 15 \frac{5}{8}</math> </p>	 <p> <math>9 \frac{5}{8} \times 7 \frac{5}{8} \times 15 \frac{5}{8}</math>  <math>11 \frac{5}{8} \times 7 \frac{5}{8} \times 15 \frac{5}{8}</math>  <math>13 \frac{5}{8} \times 7 \frac{5}{8} \times 15 \frac{5}{8}</math> </p>
 <p> <math>13 \frac{5}{8} \times 7 \frac{5}{8} \times 15 \frac{5}{8}</math>  <math>15 \frac{5}{8} \times 7 \frac{5}{8} \times 15 \frac{5}{8}</math>  <math>17 \frac{5}{8} \times 7 \frac{5}{8} \times 15 \frac{5}{8}</math> </p>	 <p> <math>11 \frac{5}{8} \times 7 \frac{5}{8} \times 15 \frac{5}{8}</math>  <math>13 \frac{5}{8} \times 7 \frac{5}{8} \times 15 \frac{5}{8}</math>  <math>15 \frac{5}{8} \times 7 \frac{5}{8} \times 15 \frac{5}{8}</math> </p>	 <p> <math>13 \frac{5}{8} \times 7 \frac{5}{8} \times 15 \frac{5}{8}</math>  <math>15 \frac{5}{8} \times 7 \frac{5}{8} \times 15 \frac{5}{8}</math>  <math>17 \frac{5}{8} \times 7 \frac{5}{8} \times 15 \frac{5}{8}</math> </p>
 <p>331256700000</p>	 <p>331286700000</p>	 <p>FULL HIGH CRESCENT FACE SILL 330400700000</p>
 <p>HALF HIGH CRESCENT FACE SILL 330410400000</p>		

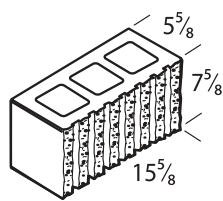
NOTE: Product availability varies by plant location. Please contact your sales rep or the plant for inventory questions.

⑧ Denotes full 8" high units also available at some locations.

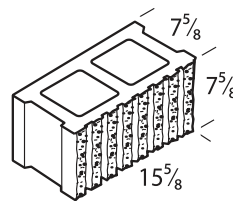
# 8 RIB SPLIT



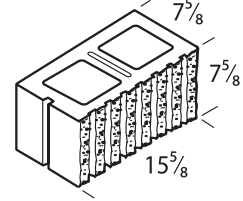
4" REGULAR  
2704007000110207



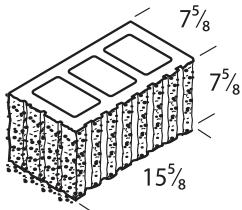
6" FULL SQUARE  
2706007000110207



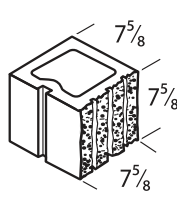
8" REGULAR  
2708007000110207



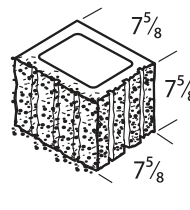
8" FULL SQUARE W/ SASH  
2708027000110207



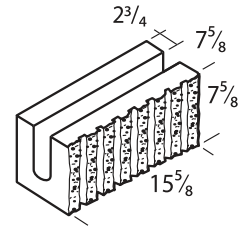
8" FACE & END CORNER  
2708037000170207



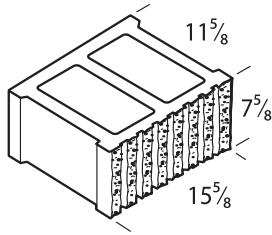
8" HALF SQUARE W/ SASH  
2708057000110207



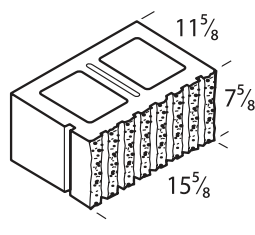
8" HALF SQUARE  
FACE & END  
2708047000170207



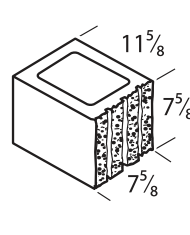
8" BOND BEAM  
2708727000110207



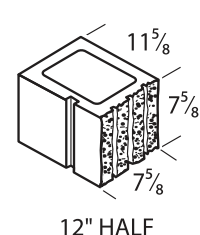
12" REGULAR COMBINATION  
2712407000110207



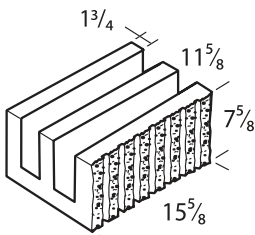
12" FULL SQUARE W/ SASH  
2712027000110207



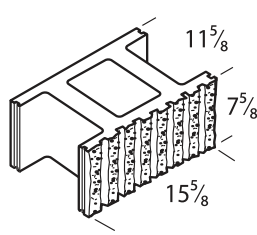
12" HALF SQUARE  
2712047000110207



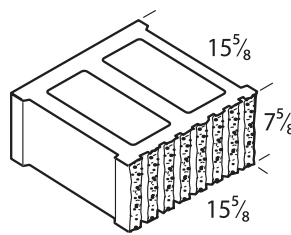
12" HALF  
SQUARE W/ SASH  
2712057000110207



12" BOND BEAM  
2712727000110207



12" OPEN CORE  
2712717000110207

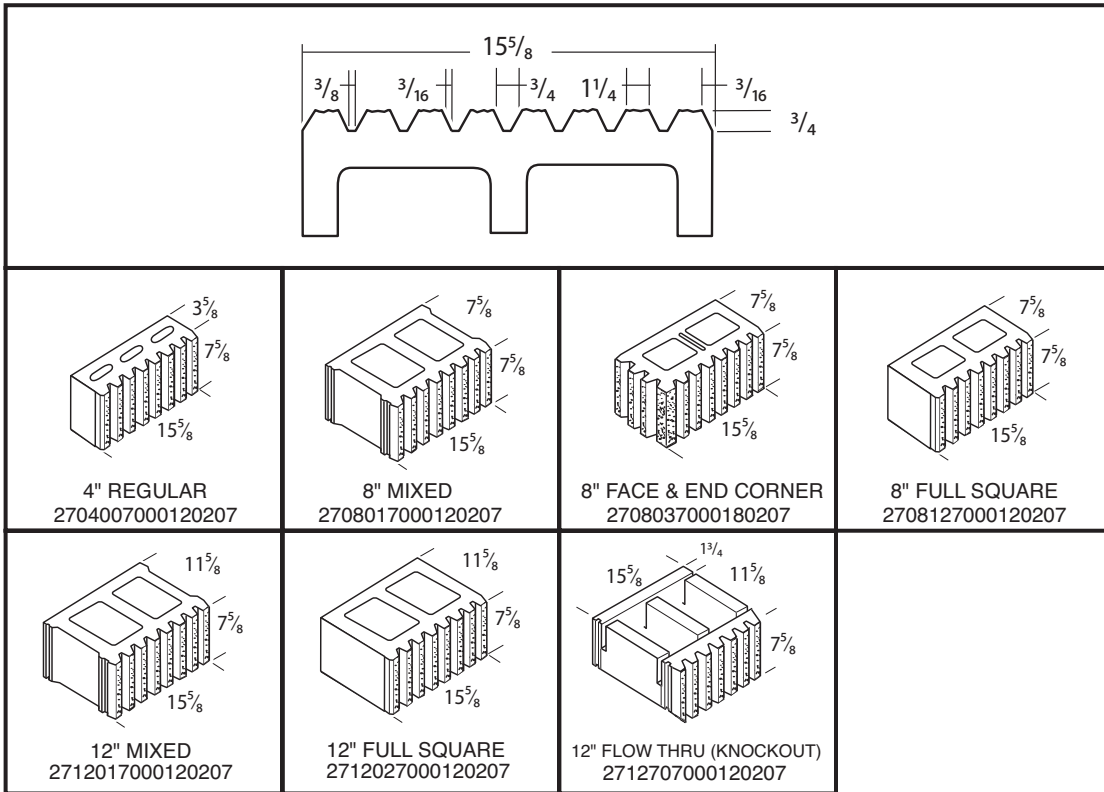


16" REGULAR  
2716007000110207

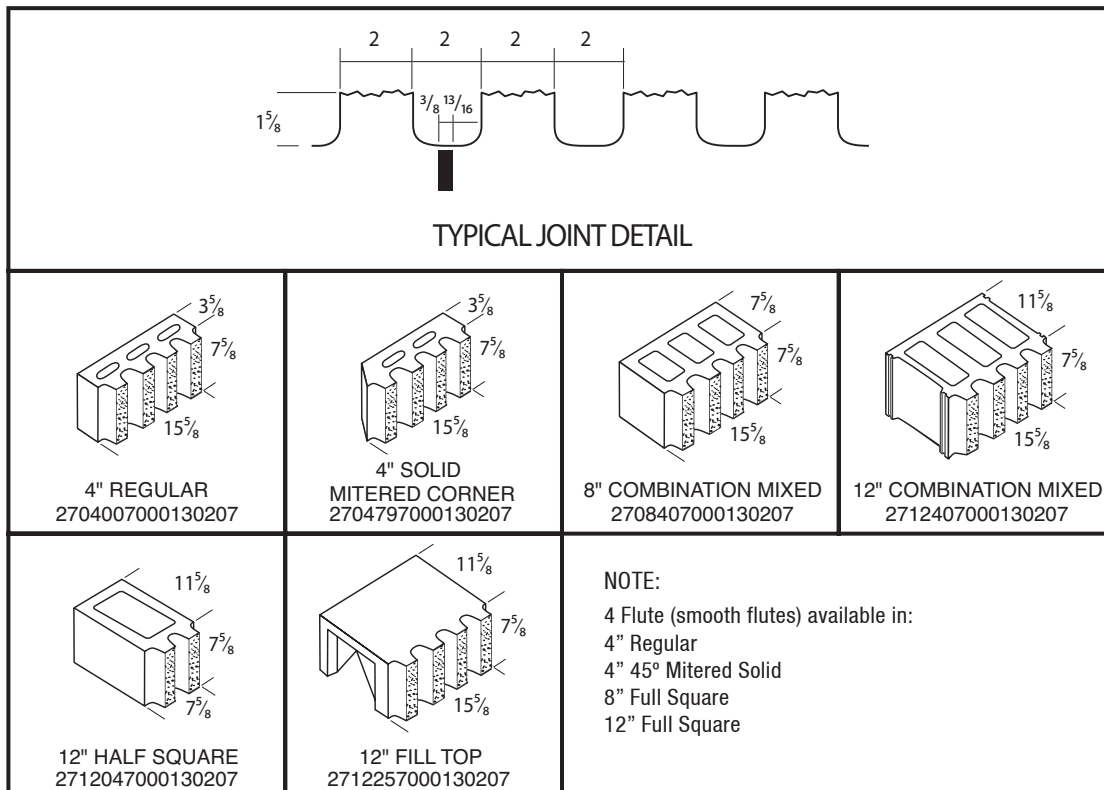
NOTE: Product availability varies by plant location. Please contact your sales rep or the plant for inventory questions.

8 Denotes full 8" high units also available at some locations.

# CORDUROY



# 4 FLUTE BREAKOFF

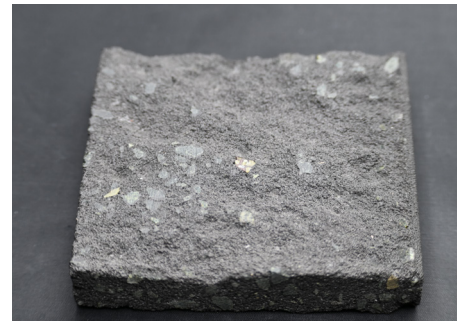
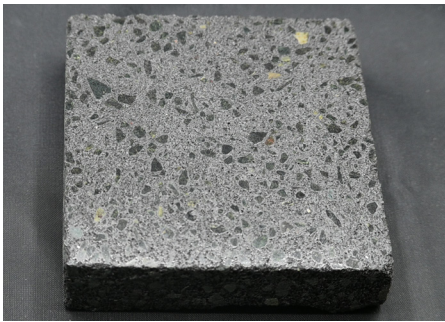
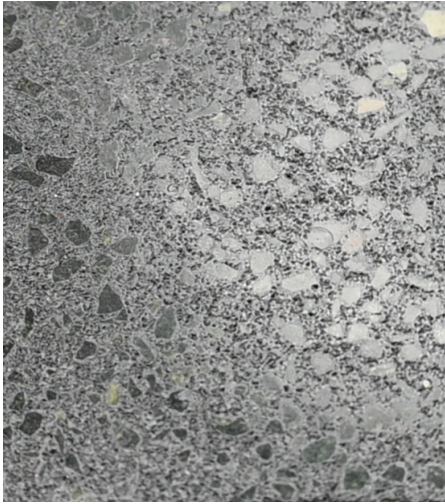


NOTE: Product availability varies by plant location. Please contact your sales rep or the plant for inventory questions.

Ⓢ Denotes full 8" high units also available at some locations.

# ARCHITECTURAL TEXTURES

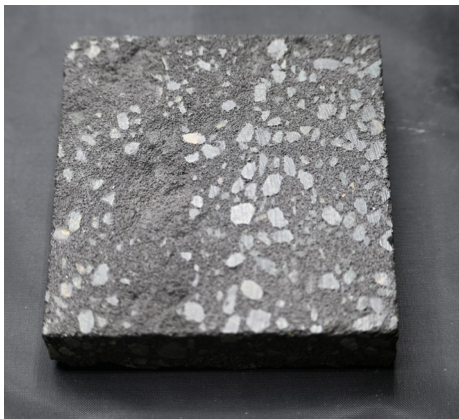
---



**Polished** Architectural Series, which uses advanced technology to achieve a high-shine, polished finish on concrete masonry units (CMU) and precast products. This series offers a light-reflective, polished surface as an alternative to tile veneer, combining the aesthetic appeal with the durability and cost-effectiveness of a CMU.

**Ultra-Fine** Architectural Series feature a unique mix with finer aggregate and extra cement, combined with premium-graded sands, resulting in a smoother, satin-like texture on smooth-face architectural units.

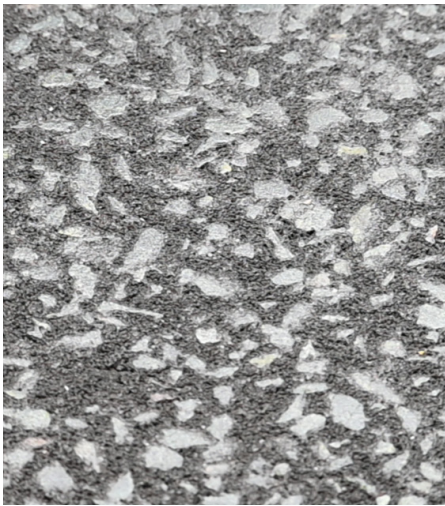
**Rock Face** Architectural Series features a full-face split that elevates the look of CMUs, enhancing any project affordably. Available in structural or veneer options.



**Travertina™** Architectural Series offers a refined, sophisticated look inspired by the natural beauty of travertine stone. Its distinctive linear veining and subtle surface variations create a timeless, elegant aesthetic perfect for both modern and classic architectural designs.

# ARCHITECTURAL TEXTURES

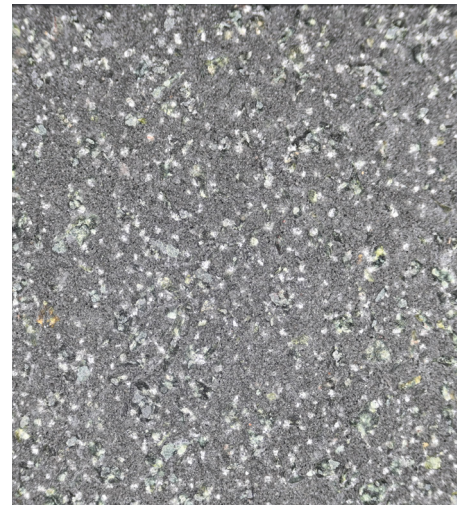
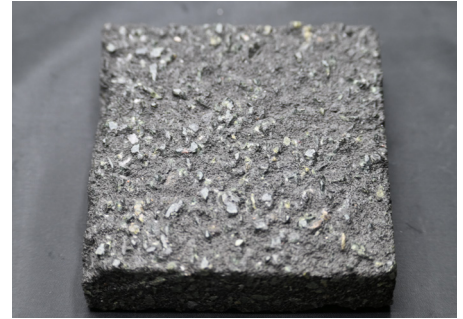
---



**Burnished** Architectural Series features a smooth-faced concrete masonry unit (CMU) achieved by grinding the surface to reveal the natural beauty of the aggregate within the block. It is available in both structural and veneer options.



**BrushHammered** Architectural Series features a design inspired by washed river rocks, offering a visually appealing texture with a soft, tactile feel that highlights the aggregates. Perfect for interior accents.



**BushHammered** Architectural Series showcases a compact, pockmarked texture that delivers a rugged, weathered look while preserving the color and aggregate—ideal for exterior applications.

# PROJECT PROFILES



Nampa Fire Station: Spec-Thermal® Hi-R H Rock Face Unit (Shadow)



Aquatic Center: Burnished and Travertina Units (Ice White) Smooth and Travertina Unit (Limerock)



Sanford Clinic: Stone Mason Unit (Limerock)





# PROJECT PROFILES



Range Park USA: Spec Brik Unit (Chesapeake Blend and Gardner Blend)

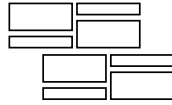
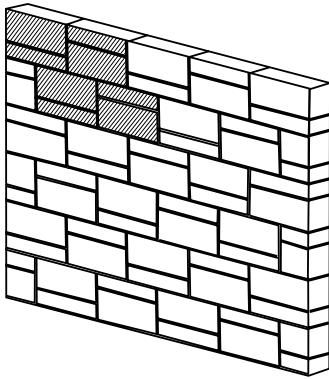


Karmel Square: Polished Mammoth Stone Unit (Onyx) Spec-Brik Unit (Lite Kasota and Houston Blend)



Pints & Paddles: Rock Face Unit (Ivory, Shadow and Grey Spice)

# BOND PATTERNS

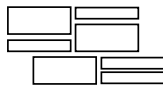
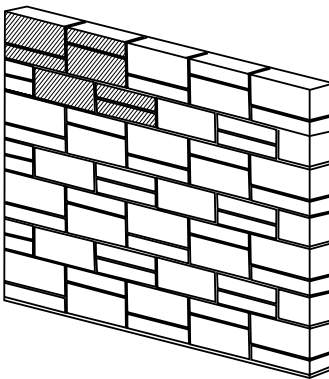


**Pattern A**

**Unit Sizes:**

$3\frac{5}{8} \times 3\frac{5}{8} \times 15\frac{5}{8}$

$3\frac{5}{8} \times 7\frac{5}{8} \times 15\frac{5}{8}$

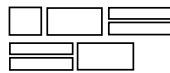
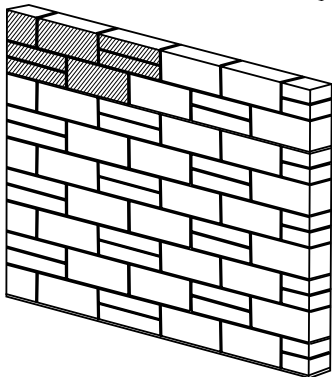


**Pattern B**

**Unit Sizes:**

$3\frac{5}{8} \times 3\frac{5}{8} \times 15\frac{5}{8}$

$3\frac{5}{8} \times 7\frac{5}{8} \times 15\frac{5}{8}$

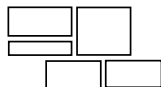
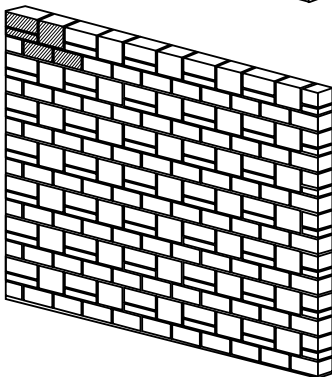


**Pattern C**

**Unit Sizes:**

$3\frac{5}{8} \times 3\frac{5}{8} \times 15\frac{5}{8}$

$3\frac{5}{8} \times 7\frac{5}{8} \times 15\frac{5}{8}$



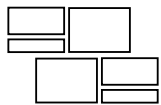
**Pattern D**

**Unit Sizes:**

$3\frac{5}{8} \times 3\frac{5}{8} \times 15\frac{5}{8}$

$3\frac{5}{8} \times 7\frac{5}{8} \times 15\frac{5}{8}$

$3\frac{5}{8} \times 11\frac{5}{8} \times 15\frac{5}{8}$



**Pattern E**

**Unit Sizes:**

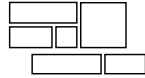
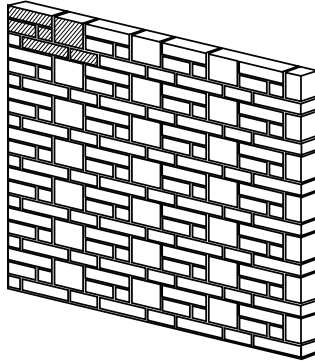
$3\frac{5}{8} \times 3\frac{5}{8} \times 15\frac{5}{8}$

$3\frac{5}{8} \times 7\frac{5}{8} \times 15\frac{5}{8}$

$3\frac{5}{8} \times 11\frac{5}{8} \times 15\frac{5}{8}$

Patterns can be made using 6", 8" or 12" units in Rock Face, Travertina, Mammoth Stone™, Ultra-Fine, Burnished, Polished, Brushhammered and Bushhammered. Patterns A, B and C can be made using 8" Stone Mason units.

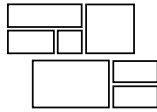
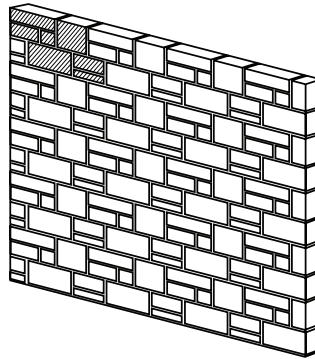
# BOND PATTERNS



## Pattern F

### Unit Sizes:

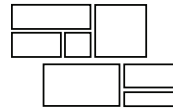
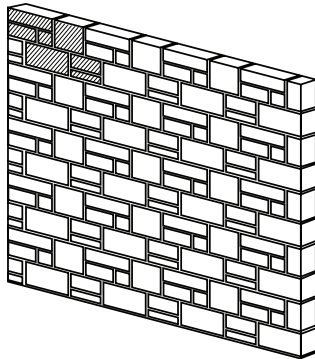
- $3\frac{5}{8} \times 7\frac{5}{8} \times 7\frac{5}{8}$
- $3\frac{5}{8} \times 7\frac{5}{8} \times 15\frac{5}{8}$
- $3\frac{5}{8} \times 7\frac{5}{8} \times 23\frac{5}{8}$
- $3\frac{5}{8} \times 15\frac{5}{8} \times 15\frac{5}{8}$



## Pattern G

### Unit Sizes:

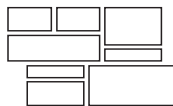
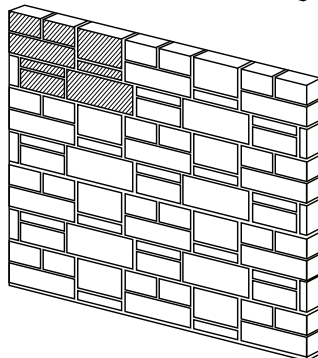
- $3\frac{5}{8} \times 7\frac{5}{8} \times 7\frac{5}{8}$
- $3\frac{5}{8} \times 7\frac{5}{8} \times 15\frac{5}{8}$
- $3\frac{5}{8} \times 7\frac{5}{8} \times 23\frac{5}{8}$
- $3\frac{5}{8} \times 15\frac{5}{8} \times 15\frac{5}{8}$
- $*3\frac{5}{8} \times 15\frac{5}{8} \times 23\frac{5}{8}$



## Pattern H

### Unit Sizes:

- $3\frac{5}{8} \times 3\frac{5}{8} \times 15\frac{5}{8}$
- $3\frac{5}{8} \times 7\frac{5}{8} \times 7\frac{5}{8}$
- $3\frac{5}{8} \times 7\frac{5}{8} \times 15\frac{5}{8}$
- $3\frac{5}{8} \times 7\frac{5}{8} \times 23\frac{5}{8}$
- $3\frac{5}{8} \times 11\frac{5}{8} \times 23\frac{5}{8}$



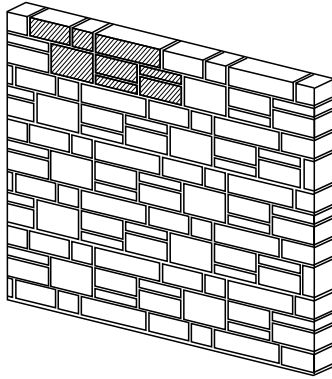
## Pattern I

### Unit Sizes:

- $3\frac{5}{8} \times 3\frac{5}{8} \times 15\frac{5}{8}$
- $3\frac{5}{8} \times 7\frac{5}{8} \times 11\frac{5}{8}$
- $3\frac{5}{8} \times 7\frac{5}{8} \times 15\frac{5}{8}$
- $3\frac{5}{8} \times 7\frac{5}{8} \times 23\frac{5}{8}$
- $3\frac{5}{8} \times 11\frac{5}{8} \times 15\frac{5}{8}$
- $3\frac{5}{8} \times 11\frac{5}{8} \times 23\frac{5}{8}$

Patterns can be made using 6", 8" or 12" units in Rock Face, Travertina, Mammoth Stone™, Ultra-Fine, Burnished, Polished, Brushhammered and Bushhammered.

# BOND PATTERNS



## Pattern J

### Unit Sizes:

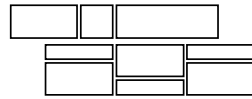
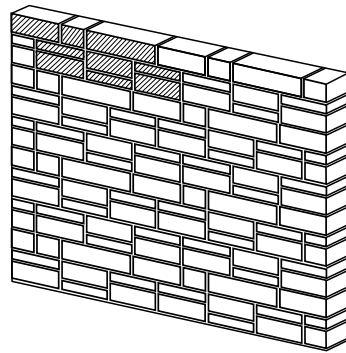
$3\frac{5}{8} \times 3\frac{5}{8} \times 15\frac{5}{8}$

$3\frac{5}{8} \times 7\frac{5}{8} \times 7\frac{5}{8}$

$3\frac{5}{8} \times 7\frac{5}{8} \times 15\frac{5}{8}$

$3\frac{5}{8} \times 7\frac{5}{8} \times 23\frac{5}{8}$

$3\frac{5}{8} \times 11\frac{5}{8} \times 15\frac{5}{8}$



## Pattern K

### Unit Sizes:

$3\frac{5}{8} \times 3\frac{5}{8} \times 15\frac{5}{8}$

$3\frac{5}{8} \times 7\frac{5}{8} \times 7\frac{5}{8}$

$3\frac{5}{8} \times 7\frac{5}{8} \times 15\frac{5}{8}$

$3\frac{5}{8} \times 7\frac{5}{8} \times 23\frac{5}{8}$

Patterns can be made using 6", 8" or 12" units in Rock Face, Travertina, Mammoth Stone™, Ultra-Fine, Burnished, Polished, Brushhammered and Bushhammered.

# PRODUCT GLOSSARY

---

## CMU

---

Concrete Masonry Unit (CMU) is a concrete block manufactured on a block machine to standardized sizes and used in building construction. Available in a wide variety of shapes, colors, textures, and sizes for flexibility in architectural design.

## BURNISHED

---

For load-bearing or veneer applications, the natural beauty of exposed, ground aggregate in Amcon's burnished CMUs make them an excellent choice where smart appearance and durability are important.

## ROCK FACE

---

For load-bearing or veneer applications, the full face split of Amcon's rock face CMUs are available in a wide range of sizes and colors with a variety of fittings and accent pieces.

## BRUSHHAMMERED

---

The BrushHammered Architectural Series offers a texture reminiscent of washed river rocks, showcasing aggregates with a soft, tactile feel, ideal for interior and exterior accents.

## BUSHHAMMERED

---

The BushHammered Architectural Series features a compact, pockmarked texture that provides a rugged, weathered look while maintaining the color and aggregate, making it perfect for exterior applications.

## POLISHED

---

The Polished Architectural Series delivers a high-shine, light-reflective finish on CMU and precast products, offering a durable, cost-effective alternative to tile veneer.

## MAMMOTH STONE® SERIES

---

Use separately or combine shapes in this innovative product line to simulate natural stone with ashlar patterns to create a signature look on your next project. This veneer-depth family of shapes is available in either a Rock Face or Burnished finish in any of the Amcon colors.

## SPEC-BRIK® SERIES

---

Ideal for projects with "brick or better" requirements, Spec-Brik is available in a range of blends and combines the proven durability and economy of concrete masonry with the rich traditional beauty of brick in a full depth structural or veneer system.

## STONE MASON™ SERIES

---

Experience the timeless appearance and texture of authentic, hand-dressed, natural stone with the strength and economy of a CMU. The Stone Mason Series is available in either an 8" full depth unit or in a 4 piece random pattern veneer system and is ideal for communities with "brick or better" requirements.

## TRAVERTINA™ SERIES

---

Features a unique, multi-dimensional burnished, recessed facial texture similar to natural travertine stone, but with the economy of a CMU.

## ULTRA-FINE

---

Contains a finer aggregate and more cement, along with premium-graded sands to create a smoother, finer, more satin-like texture on smooth-face architectural CMUs. Ultra-Fine Finish is available in any of the smooth-face shapes, including structural units, sills, and our Mammoth Stone® Series.

## SUSTAINABLE SOLUTIONS

---

Amcon's Sustainable Solutions CMU mix designs are a proprietary blend of recycled materials used as a partial replacement for ordinary portland cement (OPC) and virgin sand aggregates (50% pre-consumer waste content) which are perfect for any project including LEED and projects incorporating Minnesota Sustainability Guidelines. These mix designs are available in most Amcon products.

## ENVIROTROL™

---

Amcon's EnviroTrol™ curing system incorporates numerous cycles of high temperature, steam and carbon dioxide (CO2) to aggressively accelerate the hydration process.

# SPEC-THERMAL® HI-R H

## Spec-Thermal® PRE-INSULATED MASONRY SYSTEM

### High Performance Pre-Insulated Masonry

Hi-R The Hi-R H Wall System is a specially designed concrete masonry unit and individually molded insulation insert that provide industry best thermal performance in compliance with prevailing Codes and Standards. Hi-R The Hi-R H Masonry Unit has been designed to provide reduced thermal bridging even more than prior Hi-R designs. The block and the insulation are combined at the block manufacturing plant prior to delivery to the job site. The assembly provides a wall system capable of achieving higher thermal R-values than conventional masonry, while providing full Code-based load resistance. A Structural Design Guide is available upon request.

#### THERMAL PROPERTIES:

The Values below are for Pre-insulated Hi-R H Masonry Units. The Thermal Properties tables show the thermal resistance (Rt), including inside and outside air surface resistances of 0.68 and 0.17 h\*ft<sup>2</sup>-°F/BTU, respectively, and the U-Factors for the various densities of concrete masonry units indicated. U-Factors are based on conventional 3/8" Mortar Joint Construction. U-Factor units are Btu/hr/sqft/Deg.F. The results below are calculated based on the results of a third party thermal analysis that was completed making use of the Hot Box Test Data from three accredited laboratory services. A complete Engineering Report dated November 20, 1996, including Addendum Added Nov. 1, 2002, is available upon request. It covers the thermal values of the Hi-R Masonry Wall System.

#### Insulation Inserts

Hi-R Hi-R H Inserts are made by Concrete Block Insulating Systems, Inc. from flame-retardant treated expandable polystyrene. Like all foamed plastics, good fire procedures must be followed during storage and installation. Inserts give off no toxic products of combustion, except carbon monoxide and carbon dioxide, concentrations of which are far less than those given off by equal volumes of more dense building construction products. Expandable polystyrene contains no fluorocarbons and no formaldehyde.

#### Masonry Units

Hi-R H Masonry Units are available in precision faced and architectural decorative faced units. Units are available in 12 inch widths with nominal 8 inch x 16 inch face dimensions. Check for availability in your region.

#### Applicable Standards

- ASTM C 578, Type X, replacing Federal Specifications HH-I-524C. Specification for Rigid Cellular Polystyrene Thermal Insulation.
- ASTM C 90 Standard Specification for Load-bearing Concrete Masonry Units.

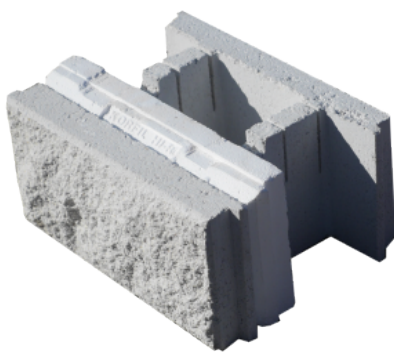
**R-Values and U-Factors for HI-R and HI-R-H Masonry Units**  
(stretcher units only/regionally available densities vary)

Product (grouted cells)	Density (pounds per cubic foot)				
	95	105	115	125	135
HI-R Two Webs, 2.5 inch insert 8-8-16*	R-10.00 U-0.10	R-9.07 U-0.110	R-8.18 U-0.122	R-7.36 U-0.136	R-6.59 U-0.152
HI-R Two Webs, 2.5 inch insert 10-8-16	R-11.82 U-0.085	R-10.82 U-0.092	R-9.85 U-0.10	R-8.94 U-0.11	R-8.08 U-0.124
HI-R and HI-R Half High Two Webs, 2.5 inch insert 12-8-16/12-4-16	R-12.58 U-0.079	R-11.56 U-0.086	R-10.57 U-0.095	R-9.62 U-0.104	R-8.72 U-0.115
HI-R-H One Web, 3.5 inch insert 10-8-16**	R-15.11 U-0.066	R-13.70 U-0.073	R-12.57 U-0.079	R-11.37 U-0.088	R-10.17 U-0.098
HI-R-H One Web, 3.5 inch insert 12-8-16	R-16.32 U-0.061	R-14.98 U-0.067	R-13.74 U-0.073	R-12.50 U-0.080	R-11.25 U-0.089
HI-R-H One Web, 4 inch insert 12-8-16	R-17.56 U-0.057	R-16.12 U-0.062	R-14.78 U-0.068	R-13.45 U-0.074	R-12.11 U-0.083
HI-R-H Half High One Web, 4 inch insert 12-4-16	R-17.87 U-0.056	R-16.40 U-0.061	R-15.04 U-0.066	R-13.69 U-0.073	R-12.32 U-0.081

\* 8-8-16 HI-R typically is not specified currently. The groutable space is very restricted.  
\*\* check with your local CPG representative; 10" version has regional availability only.

- \* Wall Type 1: Hi-R H Wall System only; **Hi-R, Hi R H Units with fully grouted cells** (125 lb./ft<sup>3</sup> density grout).
- \*\* Wall Type 2: Hi-R H Wall System, **Hi-R, Hi R H Units with fully grouted cells** (125 lb./ft<sup>3</sup> density grout); 1/2 inch gypsum board on furring strips.
- \*\*\* Wall Type 3: Hi-R H Wall System, **Hi-R, Hi R H Units with fully grouted cells** (125 lb./ft<sup>3</sup> density grout); 1/2 inch foil-backed gypsum board on furring strips.

# Spec-Thermal®



## Korfil Hi-R

The Hi-R Concrete Masonry Unit is specifically designed to minimize thermal bridging and includes a factory-installed insulated insert made of expandable polystyrene.



## Korfil Hi-R H

The Hi-R H Wall System is a specially designed concrete masonry unit and individually molded insulation insert that provide industry best thermal performance in compliance with prevailing Codes and Standards.



## Spec-Brik Hi-R

The Spec-Brik® Hi-R Wall System combines the SPEC-BRIK color blends with the thermal performance of the Korfil Hi-R. Available in 4" or 8" (Jumbo) nominal heights.



# LOCATIONS

Corporate Headquarters  
2025 Centre Pointe Blvd • Mendota Heights, MN 55120  
651-688-9116  
[www.amconconcreteproducts.com](http://www.amconconcreteproducts.com)



- |  |  |  |
|--|--|--|
| <b>Annandale, MN</b><br>Gray Block<br>Precast Products                           | <b>Medford, MN</b><br>Architectural Block<br>& Gray Block                              | <b>St. Cloud, MN</b><br>Architectural Block &<br>Gray Block  |
| <b>Fergus Falls, MN</b><br>Architectural Block<br>& Gray Block                   | <b>Mendota Heights, MN</b><br>Corporate Office   | <b>St. Joseph, MN</b><br>Gray Block<br>Hardscapes<br>Precast |
| <b>Harrisburg, SD</b><br>Architectural Block & Gray Block<br>Hardscapes Products | <b>Rapid City, SD (TCC)</b><br>Architectural Block & Gray Block<br>Hardscapes Products |  |

Amcon Concrete Products Supports and is a Proud Member of the following Associations:

